

OPERATION & MAINTENANCE INSTRUCTIONS SHARPE MIXERS SIDE ENTRY WITH SEAL

TABLE OF CONTENTS

SECTION A	MIXER DATA SHEET & DRAWINGS	A-1
SECTION B	INITIAL INSPECTION, RECEIVING AND STORAGE	B-1
	MOUNTING THE DRIVE	B-2
	INSTALLING THE MIXER SHAFT	B-2
	INSTALLING THE MIXER IMPELLER	B-3
	STUFFING GLAND PREPARATION & LUBRICATION (<i>optional equipment</i>)	B-4
	MECHANICAL SEAL PREPARATION & LUBRICATION (<i>optional equipment</i>)	B-5
	MOTOR CONNECTIONS & LUBRICATION	B-8
	START UP & OPERATION	B-9
	TROUBLE SHOOTING GUIDE	B-12
	WARRANTY	B-15
	RECOMMENDED SPARE PARTS	B-15
SECTION C	SPEED REDUCER LUBRICATION & MAINTENANCE	C-1
	SPEED REDUCER PARTS	C-3
SECTION D	MISCELLANEOUS DETAILS & INSTRUCTIONS (<i>when required</i>)	

SECTION B

INITIAL INSPECTION, RECEIVING AND STORAGE

B1.1 Immediately upon receipt of the equipment check the crating and contents for any damage that may have occurred in transit. Report any damage immediately to the carrier and to *Sharpe Mixers*. Check against the packing slip to be sure that all parts were received. Report missing items to the carrier and *Sharpe Mixers*.

B1.2 Side entry mixers are normally shipped on one skid with the shaft and seal installed and impeller lag bolted to the skid. If space allows, keep shipping containers for possible future use.

B1.3 Mechanical Seal receiving and inspection: Thoroughly review the drawings in the service manual against the equipment and inspect the mechanical seal housing and parts for possible damage during shipment. Mechanical seals are easily damaged by improper handling, often undetected until the tank contents leak through the seal. **NEVER LIFT MIXER BY THE MIXER SHAFT.** When lifting the equipment with a lifting strap, never allow the strap to come in contact with the mixer shaft, mechanical seal housing, piping or related components. Study carefully the mechanical seal drawing to determine whether seal is a single, or double mechanical seal design. Double mechanical seals are pressure tested at the factory using air. It is recommended that double mechanical seals be pressure tested again using air or water pressure prior

to installing the equipment on your tank. When using air, the seal faces may need to be coated with lubricant to achieve a static seal.

B1.4 **Storage:** Storage is when a) mixer has been delivered to the job site and is awaiting installation, b) mixer has been installed, but regular operation is delayed, c) there are long idle periods between operating cycles, d) plant/department operation is shut down. Store mixer in a clean, dry location, with circulating air, free from wide variations in temperature. Electric motors are easily damaged by moisture. Store the entire unit off the floor, covered with plastic, and use desiccants to reduce moisture buildup. Do not seal the plastic cover as this traps moisture. If the motor shows signs of moisture absorption before start-up, dry the motor out by applying 10% voltage on two leads (if in doubt, measure resistance in windings, one to three megohms is normal). This will give approximately 50% rated current. There are also sprays available to help dry out motors. Relubricate motor before start-up when in storage six months or more. Storage of mixers over six months must have gear reducers filled completely with storage oil. Do not install vent plug when in storage. Spray oil on exposed lip seals and unpainted carbon steel parts. Rotate motor and gearbox shafts periodically. When returning to service, drain storage oil, clean with mineral spirits, and replace with correct lubricant (see Section C).

MOUNTING THE DRIVE

B2.1 Mounting structure must be stable and strong enough to handle torque, bending moment, and weight specified on assembly drawing. The structure must not flex or vibrate when the mixer is in operation. If mounting to an unstable support, mixer loads may cause damage to the equipment, tank, or other hazards.

CAUTION: DO NOT LIFT MIXER BY THE SHAFT. DO NOT LIFT THE MIXER USING THE LIFTING LUG OF THE MOTOR ALONE. USE SLINGS TIGHTENED AROUND THE MIXER DRIVE.

B2.2 Tie rods are normally supplied on side entry mixers. The tie rods need to be positioned approximately 45° above horizontal and 45° from the mixer centerline. These aid in the support of the mixer

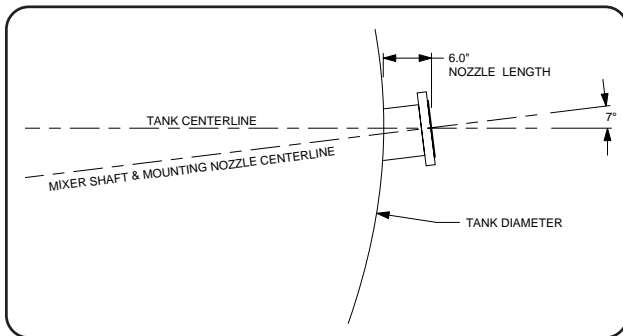


FIGURE B2.1

and need to be attached securely. Alternately, when pipe legs are supplied, see specific size called out on assembly drawing in Section A. See Figures B2.1 and B2.2 for mounting details.

B2.3 Flange mounts must have gaskets between flanges before bolting securely for proper sealing. When a remote seal is used, seal must be concentric and perpendicular to mixer shaft. Using lock washers or double nutting the mounting bolts is recommended to prevent bolts from loosening by equipment vibration.

B2.4 When foot mounted motors are supplied, readjust the motor after installation for proper alignment of the flexible coupling (see Paragraph B10.8).

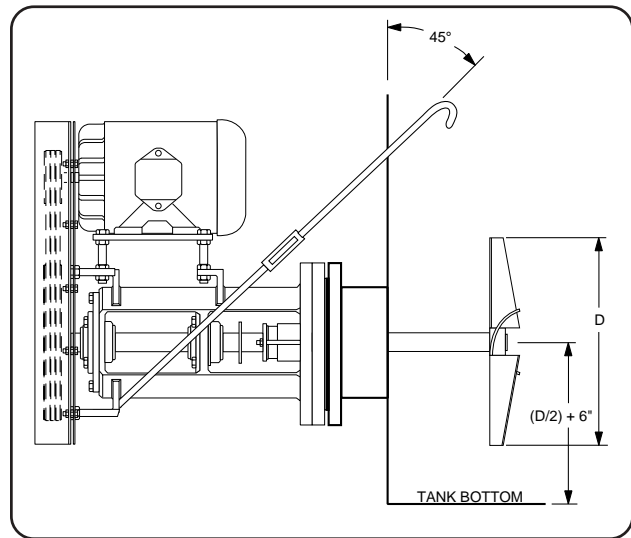


FIGURE B2.2

INSTALLING THE MIXER SHAFT

WARNING: Always lockout power before installing or removing mixer shaft.

B3.1 Normally, side entry mixers have the mixer shaft and seal installed at the factory. If not, mixers must have the mixer shaft installed through the seal area carefully. Some seals will have parts (shipped separately from the drive) which need to be installed in sequence while installing the mixer shaft. Refer to the detail drawings in front of the manual. If your mixer has a split mechanical seal (see data sheet) the seal must be installed after the mixer shaft is in place. Split seal assembly instructions will be included in Section D. Note the type of couple to the drive on the assembly drawings and install shaft per the following means:

B3.2 **Hollow bore drive:** Remove hold washer and protective wrap on top of mixer shaft. Clean

machined section of shaft. Install the mixer shaft from below and through seal (if present, see Paragraph B3.1). Install the shaft into the drive (see Figure B3.1). Be sure key is in place. Do not hammer parts in place. If keys do not fit, grind to size. Before bolting hold washer in place, add NEVER-SEEZ® compound (supplied) to the top of shaft. Tighten the hold washer securely. Reinstall the hollow bore cover (when supplied).

B3.3 **Split coupling drive:** Remove split coupling from drive shaft. Raise mixer shaft from below and through seal (see Paragraph B3.1). Bolt hold washer to top of mixer shaft (if not already done). Install keys on both shafts. Do not hammer parts in place. If keys do not fit, grind to size. Make sure all parts are clean, and assemble split coupling halves onto shafts (see Figure B3.2). The split coupling has one end marked "drive" on each half. These ends must face the gearbox for proper alignment. Re-

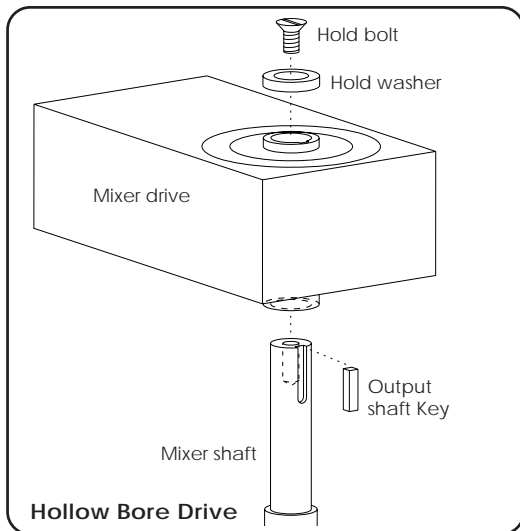


FIGURE B3.1

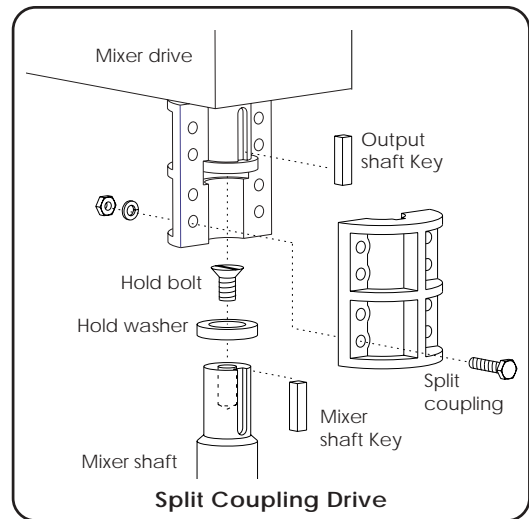


FIGURE B3.2

place split coupling. Be sure gap is even on both sides of coupling. Tighten split coupling bolts to the torque ratings listed in Table B3.1. Tighten from the center out, in an opposite/diagonal sequence.

Bolt Torque Ratings (split coupling bolts only)	
5/16" bolt @ 10 ft.-lbs.	3/8" bolt @ 25 ft.-lbs.
7/16" bolt @ 35 ft.-lbs.	1/2" bolt @ 45 ft.-lbs.
5/8" bolt @ 75 ft.-lbs.	3/4" bolt @ 130 ft.-lbs.
7/8" bolt @ 200 ft.-lbs.	

Table B3.1

B3.4 Remove motor fan guard and turn fan by hand to check that mixer shaft turns freely and alignment is true. Repeat once impellers are installed.

INSTALLING THE MIXER IMPELLER

WARNING: Always lockout power before installing or removing impeller.

B4.1 Refer to mixer assembly and impeller detail drawings for proper impeller rotation, positioning, and placement.

B4.2 **1-Piece Impellers:** Slide the impeller on the shaft facing the correct way (according to the assembly drawings). Impellers without keys setscrew directly onto shaft. When divots are in the shaft, bolt the setscrew directly into divot. For impellers with keys, tighten the setscrew securely over the key. Do not hammer parts in place. If keys do not fit, grind to size.

B4.3 **Split Hub Impellers:** Clamp split hub impellers to shaft. If impellers were shipped with

shims, discard prior to assembly, do not use to assemble on mixer shaft. Be sure to maintain 1/8" gap between hubs to insure correct blade alignment and vibration free operation. Tighten split hub impeller bolts to the following torque ratings:

Bolt Torque Ratings (split impeller bolts only)	
1/2" bolt @ 29 ft.-lbs.	5/8" bolt @ 54 ft.-lbs.
3/4" bolt @ 96 ft.-lbs.	7/8" bolt @ 150 ft.-lbs.

Table B4.1

B4.4 If a washer is supplied on the end of shaft, tighten in place after installing impeller.

STUFFING GLAND PREPARATION & LUBRICATION

(optional equipment)

B7.1 The purpose of packing is to control leakage, not prevent it. Packings must leak to perform properly, otherwise they will burn up. TFE packings are especially sensitive in this respect.

B7.1.1 DO NOT OVER TIGHTEN THE PACKING!

Permit generous initial leakage on side entry units. Gradually take up gland nuts 1/6 turn (1 flat in hex nuts) at a time. Watch temperature. **NEVER PERMIT HEAT TO DEVELOP - BACK OFF GLAND NUTS IF IT DOES.** As leakage levels off on side entry units, tighten at 15 minute intervals until leakage is controlled without developing heat. On a 1" dia. side entry shaft, permit 5 to 20 drops per minute, a 2" shaft would be allowed to leak twice as much, etc. TFE packing must be permitted to leak 30 drops per minute on a 1" dia. shaft.

B7.1.2 **PROVIDE FOR LUBRICATION**, particularly when mixing non-lubricating liquids (high pressure glands only). For greasing, a zirc fitting is standard from the factory (see Paragraph B7.3 for lubrication instructions). For flushing, remove the 1/8" N.P.T. zirc fitting and replace with flushing lines (not included). Whenever flushing through a seal, a clean liquid having lubricating properties must be used.

B7.2 **High pressure packed gland:** Seven rings with lantern ring is standard from the factory. This gland is designed for 150 psi of tank pressure. A zirc fitting is present on the seal housing and needs to be greased daily. A weight loaded lubricator or other self lubricating device is available from Sharpe Mixers to aid in seal lubrication.

B7.3 **REPACKING THE GLAND:** Packing tools: Special flexible corkscrew tools specifically designed

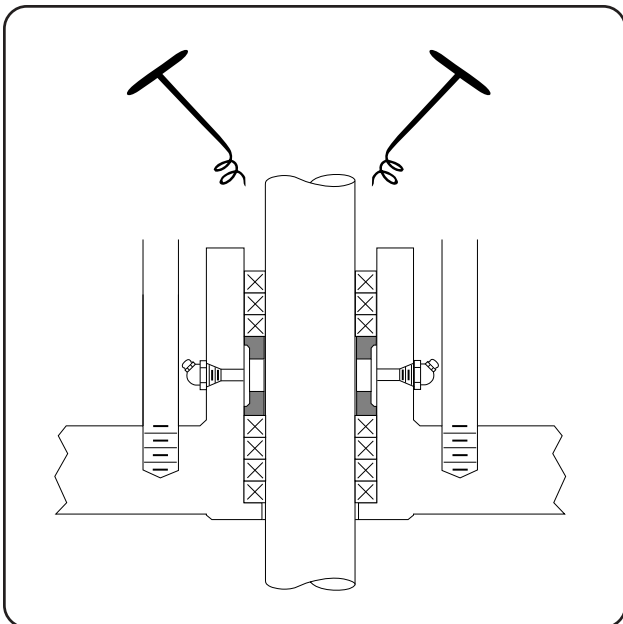


FIGURE B7.1

for packing make seal servicing an easy task (see Figure 7.1). Various size tools are available from Sharpe Mixers.

B7.4 Once power has been disconnected and shaft retraction has occurred (see Section A), remove the old rings. If a lantern ring is present, there are (4) slots cut into the top outside edge. This helps the packing tools "grab" the lantern ring for removal. Use caution when removing old rings. Do not score shaft. Before installing the new rings, be sure that the new packing is of the proper type and size for your application (see Data Sheet in front of manual).

B7.5 If you purchase your packing rings from other than Sharpe Mixers, chances are you will have to cut the rings yourself. To do this, wind the packing around a mandrel of the same diameter as the mixer shaft for the desired number of rings (see Figure B7.2). Cut rings by making a straight cut along the mandrel as shown. When removing rings from mandrel, slip them off without opening the rings. This is especially important for metallic types. Do not open with a hinge-like action (see Figure B7.3).

B7.6 Check condition of stuffing box and the shaft in the seal area. If either are rough or scored, it needs to be reworked or replaced. Without repairing the damaged areas, gland take-up will result in distortion of the rings and over compression of the

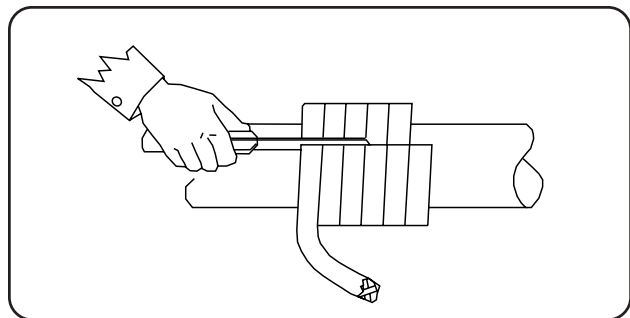


FIGURE B7.2

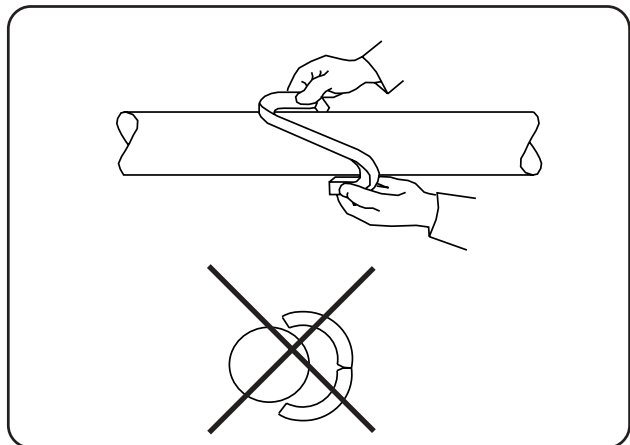


FIGURE B7.3

packing on the mixer shaft. The packing will not seal properly and will burn out sooner, further damaging the seal area. If wearing in the seal area is evident contact the factory for recommendations.

B7.7 Coat new rings with a lubricant to assist with installation and break-in (Do not use on food grade packings, liquid oxygen service, nitric acid, or any other non-compatible application). Check position of all gland parts against the applicable seal drawing. Replace all worn or damaged parts.

B7.8 Install rings over the shaft by twisting open as shown in Figure B7.3. This is especially important for metallic rings. NEVER open rings with hinge like action.

B7.9 Insert rings one at a time with joints staggered 90° apart. Seat each ring individually, compressing in place with a tamping tool or by using a split hollow cylinder. Turn mixer shaft occasionally to assist seating. Unless each ring is properly seated, the gland follower will not be able to tighten the packing set, as it will leave the front rings (nearest the follower ring) too tight in the stuffing box. Bear in mind that, except for abrasives, 70% of the wear normally takes place on the two packing rings nearest the follower ring. Proper seating and lubrication spreads the wear out more evenly over the entire set of rings. Adjust follower finger tight only to begin. After shaft has been replaced to proper running position, see Paragraph B7.1 for seal start-up procedures.

MECHANICAL SEAL PREPARATION & LUBRICATION

(optional equipment)

B8.1 **Mechanical seals** are precision machined, fragile components that are easily damaged by careless handling. Any servicing of mechanical seal must be handled in a clean "white coat" manner. Even a fingerprint on the mating seal faces can cause premature leakage. Most premature seal failures are due to lack of lubrication or improper installation. Seal manufacturers offer mechanical seal maintenance seminars or seal schools to help service personnel understand seal operation. The minimal cost and time required for this education is easily justified when you consider the expense down time and loss of product which occurs when mechanical seals fail prematurely.

B8.1.1 **Do not allow the mixer to be wired before preparing the seal for operation.** The electrician may "bump start" the mixer to check for rotation and ruin the seal in the process. Many double mechanical seals have assembly positioning tabs which hold the seal wear sleeve on center in position or compress the seal to running height during shipping and assembly. These tabs must be rotated out of the way or removed completely before start-up.

B8.1.2 If the seal has not been installed at the factory, install seal over shaft at time of shaft installation in correct position. Use a light vegetable oil to aid in installation over shaft. Compress seal to height shown in seal detail drawing in front of this manual once shaft installation is complete. Split seals must be fully installed after shaft installation is complete. See specific seal details elsewhere in this manual.

B8.1.3 The mechanical seal housing or gland plate will have one or more tapped holes for lubrication, ventilation, and draining, which will be plugged from the factory with temporary plastic plugs. These plugs must be replaced with the proper flush/lube/recirculating lines or dead end plugged as described below (Paragraph B8.4).

B8.1.4 Make sure all valves are open to insure the seal receives a positive flow of liquid at all times. **Bleed all gases** trapped in the seal cavity before start-up, or the cavity may vapor lock and the seal will burn up by running dry. Open valves slowly once the lubrication system has been pressurized. Opening inlet valves too quickly may cause a "water hammer" effect that could crack or shatter the seal faces. On high speed (above 350 rpm) and high temperature applications the mechanical seal housing must be constantly flushed with a cooling lubricant before applying power to the mixer, or heat will quickly build and destroy the seal. Where colder ambient temperatures will cause thickening of the lubricant, the seal housing and lubricant lines must be preheated to allow free flowing lubricant to seal before start-up. **Never allow the seal or lubrication lines to freeze.**

B8.2 Tank liquid level must be filled to at least one prop diameter above the impeller elevation before starting mixer. Mixer must never run when liquid level drops below this point. A low liquid alarm or shut-off switch is recommended if low liquid levels are likely to occur.

B8.3 **SEALING ABRASIVE LIQUIDS:** As used here "abrasives" is a broad term intended to cover the problem of sealing against slurries, congealing liquids, crystallizing salts and the like. They cause the greatest damage to equipment, and present difficulties for mechanical seals. In general, the cure involves flushes, purges, and temperature controls. See mechanical seal lubrication (Paragraph B8.4) for more information on lubrication and flushing of mechanical seals.

B8.3.1 **SUSPENDED SOLIDS:** Solids which are suspended in liquids and which are an inherent part of their structure would include starch, contaminated or muddy water, sand, and other slurries. This is best handled by an external flush of clean liquid through a

throttle. Flushing pressure needs to be 15 - 30 psi greater than tank pressure.

B8.3.2 PRECIPITATING LIQUIDS: Solids which precipitate out of a liquid do so by reason of either an increase in concentration, or because of a lowering (or in some cases a raising) of temperature beyond that at which it is proper to operate. Illustrations are caustic soda and calcium hydroxide. With ammonium nitrate, for example, temperature must be controlled at an optimum level in relation to its concentration. If the temperature rises above the optimum, it will boil and form crystals, and conversely if temperature drops, it will become saturated and salt out.

B8.3.3 EVAPORATING LIQUIDS: Solids can form as a result of heat which promotes evaporation. Examples include any of the hot chemical salts - the chlorides, chlorates, sulfates, sulfides. Cool by flushing or by utilizing water jackets.

B8.3.4 CONGEALING LIQUIDS: Generally speaking, these liquids congeal either because of a drop in temperature, or as a result of drying out after exposure to air. Sugar syrups fall into both categories. A good rule is to keep the fluid moving before congealing can take place. Control with heat and/or by flush or purge. Clean liquid flush pressure needs to be 25 psi greater than tank pressure. (a) Asphalt is a typical case of a liquid which congeals as it cools, and this can be controlled by heat. Some sugar syrups fall under this category. Be sure to heat thoroughly before start-up, during operation, and after shutdown if followed by a purge. (b) Some products harden to a solid state when exposed to air. Glue, molasses, paint, sugars are examples. An effective flush is a dead end lubricator. This will keep out the air. Note that this type of flush does not enter the product, but only mixes with the product leakage. It may also be desirable to purge utilizing a solvent of the liquid being mixed. Periodically vent dead end lubricated seals to clean chamber.

B8.4 Lubrication of mechanical seals is required at all times during operation of the mixing equipment. The only exception are "dry running" seals which are clearly stated in the seal description in the data sheet and assembly drawings. See specific seal data (Section D) in this manual for more information on dry running seals.

B8.5 Lubrication system designs are as varied as customers applications. Listed below are some typical application designs. Study the seal drawing and description in this manual and circle the lubrication system that best describes your application. Reservoirs, filters, rotameters, flow and pressure control valves and gauges as required, may be purchased from Sharpe Mixers.

B8.6 SINGLE INTERNALLY MOUNTED SEAL: This design has the rotating elements of the seal in

contact with the tank contents, and is lubricated by the following means:

B8.6.1 Lubricant flushing - (see figure B8.1) requires a line of compatible lubricant (usually water) plumbed to the housing at a higher pressure than the tank. This allows a constant flushing of cleansing lubricant through the seal housing and into the tank. It is recommended that a filter, pressure regulator, and flow control rotameter be installed in that order on the line to the seal.

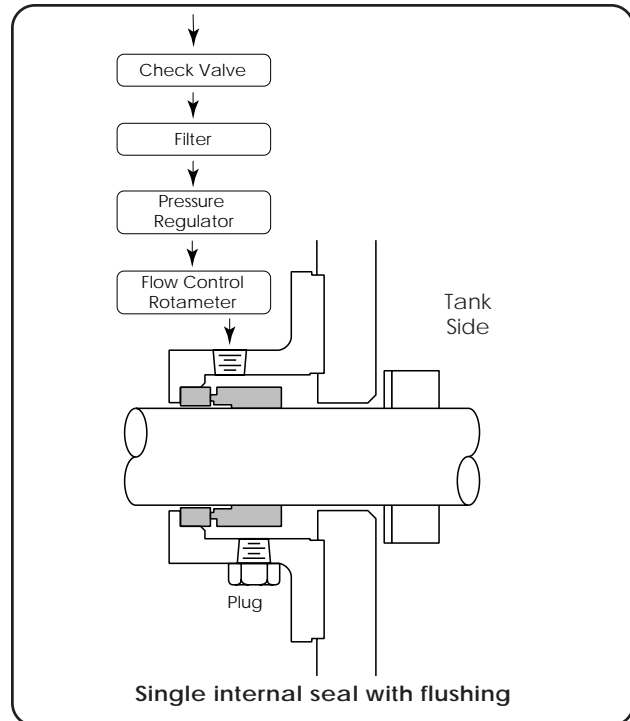


FIGURE B8.1

B8.6.2 Lubricated by tank contents - (see figure B8.2) this system (for side entry only) requires the tank contents to have lubricating properties and to be clean of any solids. Any suspended solids or dissolved solids that may crystallize will build up in the seal housing and cause premature seal leakage.

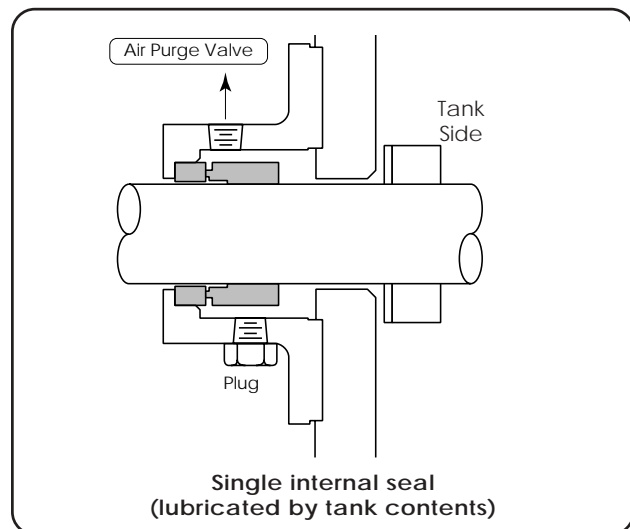


FIGURE B8.2

B8.6.3 The plugs in the seal housing need to be replaced by permanent stainless steel plugs (if not furnished). After filling tank, bleed all gases trapped in the seal housing or vapor lock may ruin the seal. If flushing is not used, periodic bleeding of the seal cavity will cleanse the solids buildup and extend seal life.

B8.7 SINGLE EXTERNALLY MOUNTED SEAL: This design positions the rotating elements of the seal outboard from the tank contents and is lubricated by one of the following means:

B8.7.1 Seal flushing - (see figure B8.3) requires a line of lubricant (usually water) plumbed to the seal housing and a line from the seal housing to a drain. In this design, the seal housing will usually incorporate a lip seal to contain the lubricant in the housing, but will not hold pressure within the seal housing. Therefore, a flow restriction and pressure reducing valve must be incorporated in the supply line to the seal. An in-line filter is also recommended. Never allow pressure to build within the seal housing or you may blowout the lip seal. The drainage line must rise above the elevation of the seal housing by a few inches to guarantee seal will be lubricated without siphoning and must be free flowing to prevent pressure buildup.

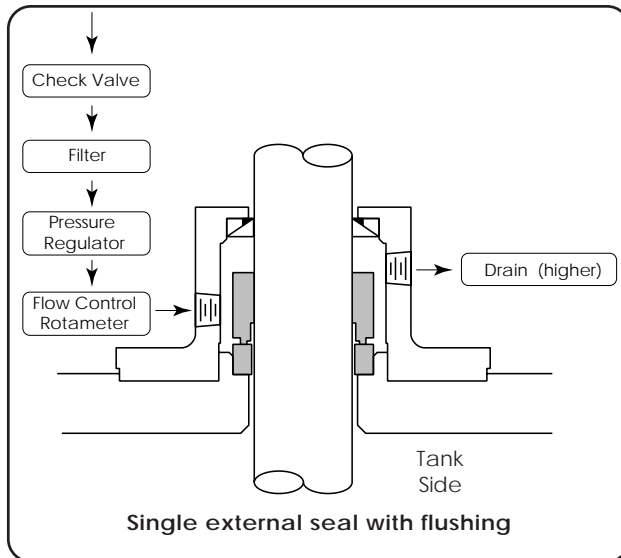


FIGURE B8.3

B8.7.2 Oil Cup - (see figure B8.4) requires a light oil or other compatible lubricating liquid to completely fill the small external cup. This cup must be checked periodically. If lubricant has drained, mechanical seal must be checked for possible leakage.

B8.8 DOUBLE MECHANICAL SEAL WITH THROUGH FLUSHING: (see figure B8.5) This system requires a lubricant line plumbed to the seal (usually water) and another line from the seal housing to the drain. A flow control valve on the inlet, and a pressure regulating valve on the drainage line, must

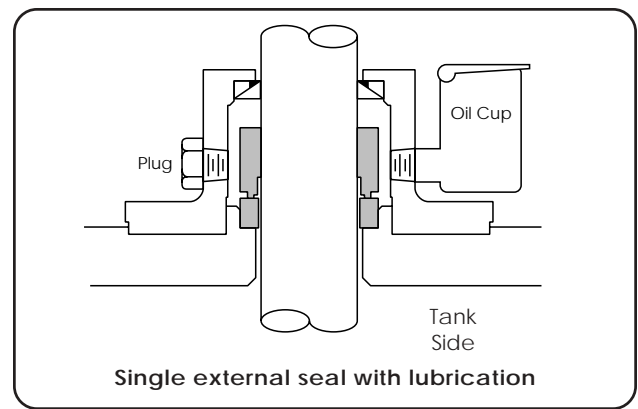


FIGURE B8.4

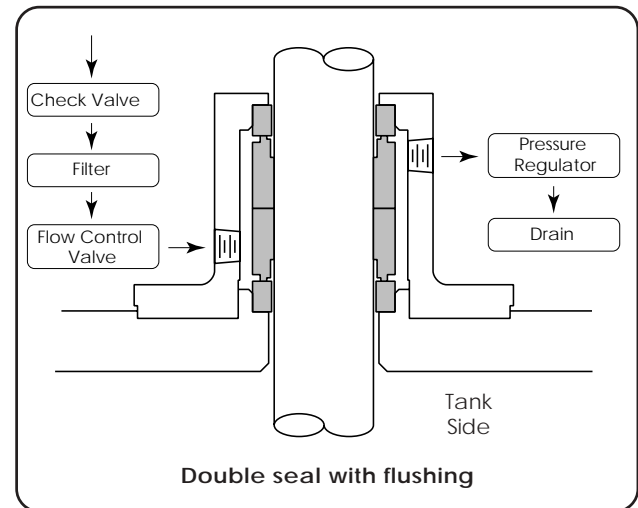


FIGURE B8.5

be installed on the seal to maintain a pressure in the seal housing 15-30 pounds higher than the tank pressure. A filter on the inlet to the seal is recommended. It is also recommended that a check valve be installed on the inlet line to prevent back flow of tank contents in case of loss of pressure in the flushing line. Pay special attention to seal housing temperature during operation. Never allow heat buildup in seal housing. Increase flow of flushing water to cool the seal.

B8.9 DOUBLE MECHANICAL SEAL WITH NATURAL CONVECTION LUBRICANT RESERVOIR: (see figure B8.6) This design requires a lubricant reservoir (usually 2-5 gallon capacity) mounted 6"-18" above, and no more than 3 ft. away from the mechanical seal. These systems are often furnished by Sharpe Mixers, mounted on the agitator and fully plumbed to the seal housing. Lubricant circulation occurs when the lubricating fluid, heated by the seal, expands and becomes lighter and rises out of the seal to the top of the lubricant reservoir. Once in the reservoir the fluid cools becoming heavier and returns to the mechanical seal housing. This process may be aided by cooling coils in the reservoir. Natural convection requires low restriction plumbing as follows: Use large diameter tubing (1/2" recommended) from the **upper most** port in the seal housing to the **upper liquid input**

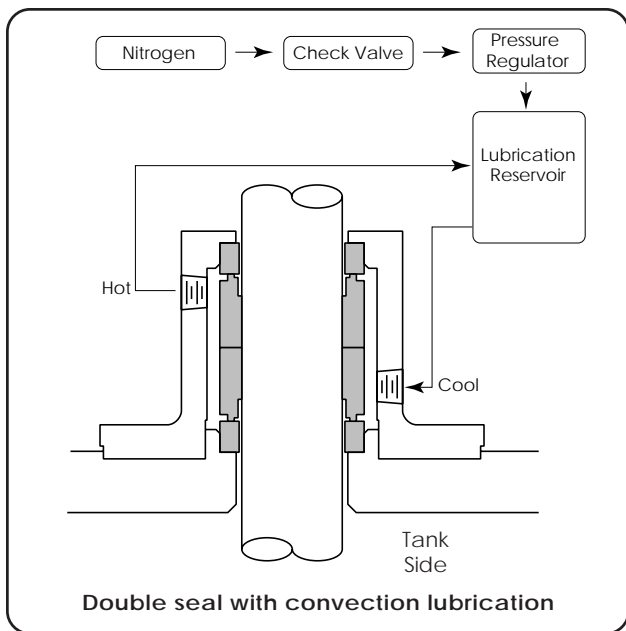


FIGURE B8.6

in the lubricant reservoir. The return line runs from the bottom of the reservoir to the lower port in the seal housing. Care must be taken not to attach the return line to the cooling coil inlet or outlet (if present) which are also in the bottom of the reservoir. Refer to the reservoir drawing for the orientation of the inlets and outlets. Keep horizontal runs to a minimum.

B8.9.1 Fill the seal reservoir until liquid level is higher than upper most plumbing line. Recheck level after mixer has run a few minutes and replenish if necessary. Operating liquid must be thin (water

like) since thicker materials will not flow, creating heat buildup and premature seal failure. If tank is pressurized, maintain 15 - 30 psi above tank pressure in the lubricant reservoir. This is accomplished by either a permanent air line to the top of the reservoir with a pressure regulating valve, a nitrogen tank or other compatible pressurized medium. A "back pressure" valve may be incorporated to prevent the back flow of tank contents in case of seal failure during a loss of pressure in the supply system. A low pressure shut off switch may also be used to shut down the mixer in case of a seal system failure.

B8.9.2 Many lubrication reservoirs incorporate "cooling coils" to further remove heat from the lubricating fluid on high temperature applications. Other lines may also be required to cool the seal housing or flange. These will be shown in the seal assembly drawing. Cooling water must circulate at all times when heat is present.

B8.9.3 A 10 weight oil (or other thin noncorrosive lubricating liquid) is recommended rather than water as a lubricating medium for the seal.

B8.10 **DOUBLE MECHANICAL SEAL WITH POSITIVE FLOW LUBRICATION SYSTEM:** This system utilizes a remote lubricant reservoir with a pump supplying positive flow to and from the seal often with a cooling system, pressure and flow control valves, low level alarms and other integrated systems which require thorough study and preparation prior to start-up. It is recommended that you contact the appropriate mechanical seal representative in your area for assistance with any questions you may have on more intricate systems.

MOTOR CONNECTIONS & LUBRICATION

B9.1 WARNING: High voltage and rotating parts can cause serious or fatal injury. Electric machinery can be hazardous. Installation, operation, and maintenance of electric machinery should be performed by qualified personnel. Familiarity with NEMA safety standards, National Electrical Code and local building codes are required.

B9.2 **Wiring:** Starting and overload control devices must be matched to motor rating. Follow control manufacturer's instructions for proper connections and installation.

B9.3 Electrical connections must conform to National Electrical code and all local regulations. Line voltage and wire capacity must match motor rating stamped on motor nameplate.

B9.4 **Electric motors - Single phase:** If your mixer is supplied with a single phase motor it may be wired by the factory with a ten foot cord and an on/off switch. If no cord or switch is provided refer to the wiring diagram on the motor for correct connections. Check that the switch is in the off position before plugging the cord into a 110 volt outlet. *Check for proper rotation!* Interchange lines if necessary for proper rotation. (See assembly drawing).

B9.5 **Electric motors - 3 phase:** Motors requiring 3 phase power must be wired according to the wiring diagrams on the motor. Rotation of the impeller must be according to the assembly drawing and data sheet. Interchange lines if necessary for proper rotation.

B9.6 **Electric DC Variable Speed:** Direct

current variable speed electric motors using an SCR controller must be wired following the instructions supplied with the controller. Many adjustments are often required to the SCR controller and instructions must be read carefully before applying power. See data sheet and assembly drawings for possible RPM lockout ranges. Operate only at speeds outlined on those sheets. Damage to equipment or serious injury to personnel can result, if speed limitations are not followed.

B9.7 Electric AC Variable Speed: Electric motors using an AC variable frequency controller must be wired following the instructions supplied with the controller. Many adjustments are often required to the controller and instructions must be read carefully before applying power. See data sheet and assembly drawings for possible RPM lockout ranges. Operate only at speeds outlined on those sheets. Damage to equipment or serious injury to personnel can result, if speed limitations are not followed.

B9.8 WARNING: Ground the mixer motor properly to avoid serious injury to personnel. Grounding needs to be in accordance with the National Electrical Code and consistent with local building codes.

B9.9 Other types of motors (e.g.: hydraulic) must be installed per the motor manufacturer instructions. See data sheet and assembly drawings for possible RPM lockout ranges. Operate only at speeds outlined on those sheets. Damage to equipment or serious injury to personnel can result, if speed limitations are not followed.

B9.10 Motor lubrication: Electric motor bearings are often sealed and need no relubrication. When zirc fittings are present, relubricate with a No. 2 consistency lithium soap base and petroleum compound. Relubricate every 6 months to 3 years depending on usage. Open and clean drains. Add grease until new grease is forced out drain. Remove excess grease and replace input plugs. Run motor one half hour before replacing drain plugs.

START UP & OPERATION

B10.1 WARNING: High voltage and rotating parts can cause serious or fatal injury. Lockout/Tagout power before servicing.

B10.2 Some models may be shipped "dry" (without lubricant) and must be filled with the proper lubricant before start-up. Refer to Section C for the proper type and amount of lubricant. Units shipped with oil will have the gearbox vent has been replaced with a temporary plug for shipment. **Vent must be reinstalled prior to start-up or damage may occur.** Check that the oil level is to the proper level (see Section C), and that none was lost during shipment/installation before start-up.

B10.3 Prior to applying power, test line resistance to check for possible moisture in the motor. Refer to Paragraph B1.3. Do not apply power if any resistance exceeds one to three meg-ohms.

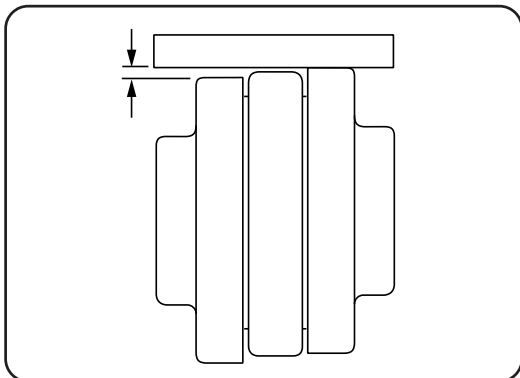


FIGURE B10.1

B10.4 Rotate mixer shaft by hand to check shaft straightness and assure that the impeller is free of any obstructions in the tank.

B10.5 Extended operation of the mixer when liquid level is at or near the impeller is not recommended.

B10.6 The impeller rotates in the direction shown in the assembly drawing. Opposite rotation may cause overload and inefficient mixing.

B10.7 Vortexing may occur if liquid level is too close to the upper impeller. This will cause aeration of the product and excessive vibration of the equipment. When mixing products of dissimilar viscosities and/or specific gravities the lighter or less viscous material should be introduced first. Gradually add the heavier material or powders into the center of

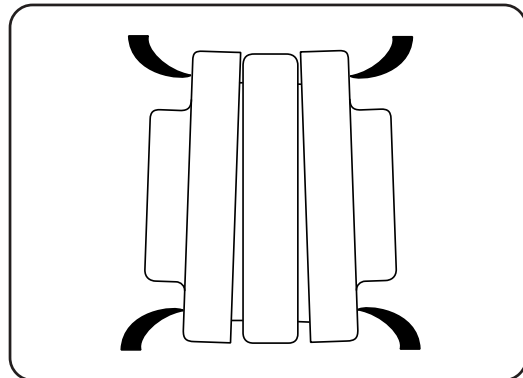


FIGURE B10.2

the tank while the agitator is running. Never dump large amounts of powder or solids into the mixing tank. This may create clotting or "sanding in" of impeller and cause damage to the equipment.

CAUTION: DO NOT START MIXER WITH IMPELLER BURIED IN SOLIDS OR WITH LIQUID SOLUTION SOLIDIFIED. DAMAGE WILL OCCUR.

B10.8 If impeller is buried in solids prior to starting mixer, solids must be dispersed. This may be achieved with an air hose, a recirculating pump, or a large stirring stick if necessary (depending on tank size).

B10.9 Align flexible motor coupling (**on foot mounted motors only**), to reduce wear of flexible insert of coupling. Check parallel alignment by placing a straight edge across the two coupling flanges and measuring the maximum offset at various points around the coupling (See Figure B10.1). DO NOT rotate the coupling. This dimension must be less than 0.015". Check angular alignment with a micrometer or caliper. Measure the outside of one flange to the outside of the other at intervals around the coupling (See Figure B10.2). Find the maximum and minimum dimensions. DO NOT rotate the coupling. The difference between the maximum and minimum must not exceed 0.015". Recheck both parallel and angular alignments again. Shims may be required to adjust properly.

B10.10 Shaft seal must be lubricated/flushed during operation of mixer.

B10.11 When variable speed drives are used (AC variable frequency, air or hydraulic motors, &

mechanical variable drives) run only at speeds set forth on data sheet and drawings in front of this manual. DO NOT RUN ABOVE OR BELOW SPEEDS ON DATA SHEET OR ASSEMBLY DRAWINGS. Specific data on these special drive components are located elsewhere in this manual (Section D).

B10.12 Keep motors free from oil, dust, dirt, water, and chemicals. Keep air intakes and outlets free from foreign material. Electric motors supplied, although designed for outdoor use, may be damaged due to weather. A rain hood or other protection may be necessary to prolong motor life. Consult factory for recommendations.

B10.13 Regular maintenance is the best assurance of trouble free, long life mixer operation. Inspect and relubricate at regular intervals. Frequency and thoroughness depends on operation, nature of service, and environment.

CAUTION: Before start-up, replace OSHA guards provided. Serious injury may occur if not replaced.

B10.14 In the event of a break down within the warranty period, Sharpe Mixers must be notified within 15 days if it is intended that the warranty is to cover the problem. When requesting spare/replacement parts anytime, have serial number and model number off mixer nameplate readily available. Do not disassemble components or otherwise modify equipment without prior authorization from Sharpe Mixers or warranty will be voided. Sharpe Mixers will not accept back charges for any repair work that has not been previously authorized.

B10.15 Start-Up Checklist

Prior and during start-up please check that the following things have been done:

- a. Manual has been read and followed
- b. Coupling bolts torqued to specifications
- c. Hold washer tight (when applicable)
- d. Impeller is immersed in liquid
- e. Sufficient protection for motor (if outdoors)
- f. Impeller installed correctly (see assembly drawings)
- g. Gearbox vented
- h. Mounting / Impeller bolts tight
- i. All guards in place
- j. Proper type and amount of lubricant (see Section C)
- k. Wiring correctly installed, grounded and insulated
- l. Proper shaft rotation (see drawings & data sheet)
- m. Steady bearing installed properly (when applicable)
- n. Motor checked for moisture absorption
Resistance (less than 3 meg-ohms): _____
- o. Correct voltage/amperage @ start-up:
Motor nameplate F.L.A.: _____
F.L.A. measured with ampmeter: _____
Actual line voltage measured: _____
- p. Excessive vibration of mixer support ?
- q. Speed limitations set on variable speed controller
(when applicable)
- r. Proper seal lubrication (when applicable)
- s. Proper seal run-in time allowed
- t. Mechanical seal position tabs removed (when applicable)
- s. Mechanical seal lubrication ports plugged / plumbed with lube

INSPECTOR

DATE

TROUBLE SHOOTING GUIDE

PROBLEM	POSSIBLE CAUSE	SOLUTION
<ul style="list-style-type: none"> • Shaft will not fit into drive or coupling 	<ul style="list-style-type: none"> • Set screws extend into bore • Shaft over size (proper dia. 0.001" - 0.002" under nominal dia.) • Damaged shaft • Oversize key 	<ul style="list-style-type: none"> • Loosen set screws • Measure and consult factory • Consult factory • Grind key to fit
<ul style="list-style-type: none"> • Mixer will not start 	<ul style="list-style-type: none"> • Incorrect wiring • Loose connections • Blown fuse • Incorrect voltage • Impeller interference • Water damage to motor • Wrong size heaters in starter 	<ul style="list-style-type: none"> • Check wiring diagram and wire correctly • Check and tighten connections • Replace fuse • Wire for correct voltage • Free all debris for rotation • Service or replace motor (consult factory) • Replace heaters
<ul style="list-style-type: none"> • Mixer will not reach correct speed 	<ul style="list-style-type: none"> • Overload of motor • Loose drive coupling bolts • See "Mixer will not start" 	<ul style="list-style-type: none"> • Check amperage against nameplate data • Check coupling bolt tension (coupling and/or shaft maybe damaged if mixer has been run with slipping coupling)
<ul style="list-style-type: none"> • Motor runs hot / • Amperage overload 	<ul style="list-style-type: none"> • Low or high voltage • Product too viscous • Restricted ventilation • Frequent starting and stopping • Unbalanced voltage between phases • Incorrect rotation • Product too viscous • Incorrect rotation or upside-down impeller • Impeller too close to tank floor • Lack of/improper lubricant • Improper output speed • Build up of sediment on tank bottom • Undersized heaters 	<ul style="list-style-type: none"> • Wire for correct voltage • Check viscosity and specific gravity of product (consult factory) • Clear vents • Check with factory - a special motor may be required • Consult electrician • Change motor leads per nameplate instructions • Check viscosity and specific gravity - consult factory • Check against assembly drawings - correct if required • raise impeller • Add or change lubricant (see Section C) • Confirm speed - consult factory • Clean or irrigate sediment • Replace with correct heaters

PROBLEM	POSSIBLE CAUSE	SOLUTION
<ul style="list-style-type: none"> •Noisy 	<ul style="list-style-type: none"> •Insufficient lubricant •Foreign material in lubricant •Incorrect lubricant •Worn or faulty bearings or gears •Incorrect coupling alignment •Bent/broken guards 	<ul style="list-style-type: none"> •Fill proper amount of lubricant •Change lubricant •Change to correct lubricant <ul style="list-style-type: none"> •Check bearings/gears replace if necessary •adjust/align coupling •Straighten/replace guard
<ul style="list-style-type: none"> •Bearing failure 	<ul style="list-style-type: none"> •High temperature product •Excessive overhung load •Water damage •See all items under "Noisy" 	<ul style="list-style-type: none"> •Provide heat shield •Consult factory •Replace bearing (check all other parts)
<ul style="list-style-type: none"> •Gear failure 	<ul style="list-style-type: none"> •Excessive loading (check amps) •Lack of (or improper) lubrication •Start-stop-start loading (product burying impeller with solids) •Foreign material in lubricant 	<ul style="list-style-type: none"> •Consult factory •Fill with recommended lubricant or equivalent (see Section C) •Free impeller of any solids at start-up (pre stir with air hose or paddle) •Replace lubricant
<ul style="list-style-type: none"> •Oil leakage 	<ul style="list-style-type: none"> •Excessive lubricant •Damaged/broken gasket •Loose bolts around side plates •Seals worn or damaged •Vent not installed/clogged 	<ul style="list-style-type: none"> •Check manual for proper amount lubricant and drain excess •Replace gasket •Check and tighten bolts •Replace seals •Replace seals - install/unclog vent
<ul style="list-style-type: none"> •Shaft vibration 	<ul style="list-style-type: none"> •Impeller not immersed in liquid •Impeller too close to surface •Bent mixer shaft •Unstable mounting platform •Loose or improperly assembled coupling •Debris in coupling •Damaged gearbox bearings •Debris on impeller •Loose or bent impeller blades 	<ul style="list-style-type: none"> •Fill tank •Fill tank or lower impeller (see Section B4) •Consult factory •Reinforce platform •Assemble securely (see Para. B4) •Clean and reassemble •Check and replace if necessary •Clean impeller •Tighten or straighten (consult factory)

PROBLEM	POSSIBLE CAUSE	SOLUTION
<ul style="list-style-type: none"> • Seal leakage 	<ul style="list-style-type: none"> • Proper amount of leakage • Worn packing • Scored shaft • Insufficient/incorrect lubrication • Excessive heat in gland • Worn vapor seal • Split in packing rings not offset • Charred / glazed packing • Worn mechanical seal • Damaged mating ring • Solids in seal gland • Scored shaft • Insufficient/incorrect lubrication • Excessive heat • Incorrect seal position • Excessive shaft runout 	<ul style="list-style-type: none"> • See Paragraph B6 • Replace packing • Replace shaft and packing check stuffing box also for possible scoring • Lubricate properly (see Paragraph B7) check for scoring - replace if necessary • Back off gland nuts (replace packing if necessary) check for scoring - replace if necessary • Replace lip seal • Remove packing, reinstall at offset (see Paragraph B7) • Improper run-in, replace packing (see Paragraph B8) • Replace seal • Replace mating ring • Flush properly (see Paragraph B8) • Replace shaft and seal; lubricate/flush seal • Lubricate properly (see Paragraph B8) • Lubricate properly or consult factory, a special seal may be required • See drawings in front of manual for correct position • See "Shaft vibration" above

Note: Other trouble shooting guides for special optional equipment will be located in Section D (when present).

WARRANTY

We warrant every SHARPE MIXER to do the job for which it is recommended, and, if a MIXER fails in this, we will refund the purchase price or provide, without additional charge, a mixer which will do the job specified. The materials of which the MIXER is constructed, while not guaranteed against chemical attack, are warranted to be as specified by the buyer, or its commercial equivalent. We will either repair or replace, at our option and at our expense, any part of a MIXER which our examination shall disclose to our satisfaction to be defective in material or workmanship.

We will pay all transportation charges relative to our repairing or replacing a MIXER, although we will not be responsible for removal, loading, installation, or, similar related expenses.

This warranty extends for twelve (12) months after first installation of the MIXER or for eighteen (18) months after its shipment from our factory, whichever occurs first.

THE FOREGOING OBLIGATIONS OF THIS WARRANTY ARE EXPRESSLY IN LIEU OF ALL OTHER WARRANTIES EXPRESSED OR IMPLIED INCLUDING THE WARRANTIES OF MERCHANTABILITY AND FITNESS FOR USE AND OF ALL OTHER OBLIGATIONS OR LIABILITIES ON OUR PART, AND STATE OUR ENTIRE AND EXCLUSIVE LIABILITY AND BUYER'S EXCLUSIVE REMEDY FOR ANY CLAIM FOR DAMAGES IN CONNECTION WITH THE SALE OR FURNISHING OF GOODS OR PARTS, THEIR DESIGN, SUITABILITY FOR USE, INSTALLATION OR OPERATION. WE NEITHER ASSUME, NOR AUTHORIZE ANY OTHER PERSON TO ASSUME FOR US, ANY OTHER LIABILITY IN CONNEC-

TION WITH THE SALE OF THIS MIXER. WE WILL IN NO EVENT BE LIABLE FOR ANY DIRECT, INDIRECT, SPECIAL OR CONSEQUENTIAL DAMAGES OR DELAY WHATSOEVER, AND OUR LIABILITY UNDER NO CIRCUMSTANCE WILL EXCEED THE CONTRACT PRICE FOR THE GOODS FOR WHICH LIABILITY IS CLAIMED. THIS WARRANTY SHALL NOT APPLY TO THIS MIXER OR ANY PART THEREOF WHICH HAS BEEN SUBJECT TO ACCIDENT, NEGLIGENCE, ALTERATION, ABUSE, OR MISUSE. WE MAKE NO WARRANTY WHATSOEVER IN RESPECT TO ACCESSORIES OR PARTS NOT SUPPLIED BY US.

A NOTE ON RECOMMENDED SPARE PARTS

B13.1 Recommended spare parts are different for individual needs. The main factor affecting which parts should be kept on the shelf of the user is downtime (allowable time period the mixer can be out of service). This list shows acceptable downtime and parts to stock on shelf that, under normal circumstances, Sharpe Mixers cannot supply in less time.

Allowable Downtime	Recommended parts to stock for repair due to long delivery
3 weeks	-Steady bearing bushings, wear sleeves, stuffing gland throttles/bushings, side entry mixer shafts, special alloy seals, special motors.
2 weeks	-Above parts, plus: gearbox gear sets, motors, mechanical seals.
1 week	-Above parts, plus: gearbox seals, bearings, gaskets, shims, motors, flexible couplings.
3 days	-Above parts, and/or: complete gearbox, gland packing, v-belts.
1 day	-Complete agitator.

Note: Shafts and impellers, although not normally wearing parts, may be damaged and require repair/replacement. These parts are long delivery items and should be considered if extended down time is unacceptable.

For any downtime, all wearing parts are normally recommended spares. These include: bearings, seals, gears, input couplings, and shims/gaskets. V-belts, steady bearing bushings, and wear sleeves are also recommended when present.

MAINTENANCE NOTES:

Description	Date	By
