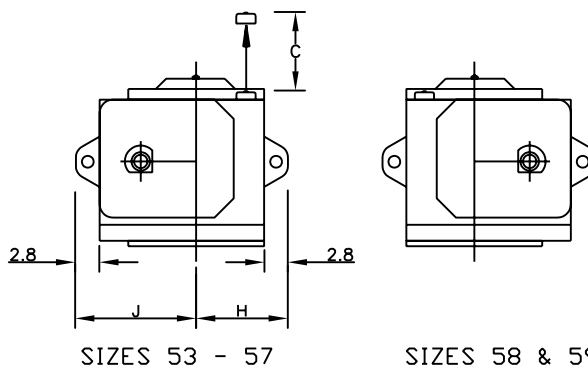
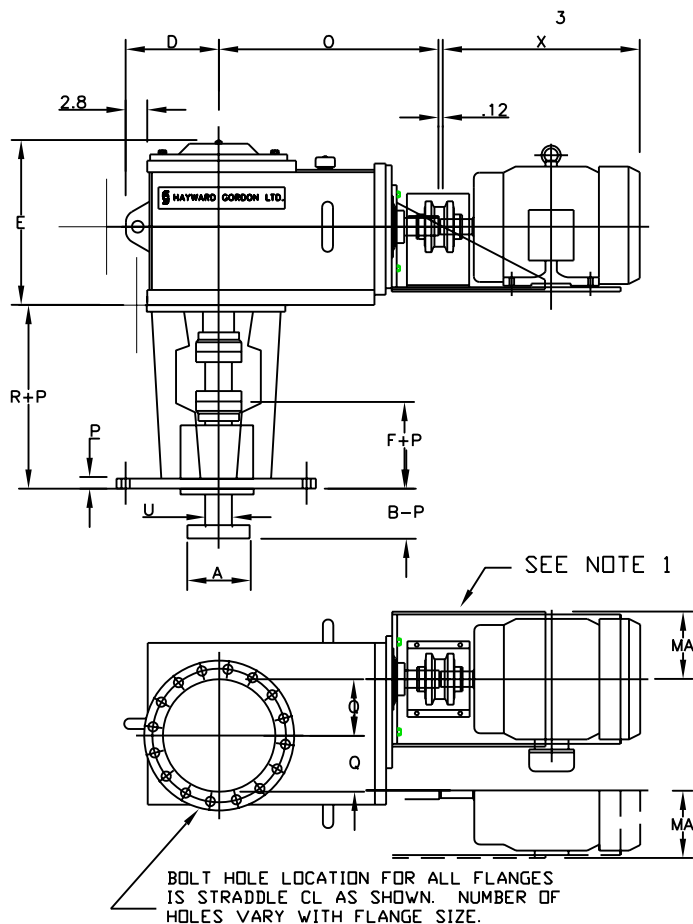


TYPE
MB
SERIES

HAYWARD GORDON LTD.

MBM DIMENSIONS
DRIVESTAND WITH MECHANICAL SEAL

SECTION:	PB4
PAGE:	4.13
ISSUED:	AUG/1995
REV:	A APR/99



NOTES:

- SIZES 53-57 DIMENSION IS AS SHOWN. SIZES 58 & 59 DIMENSION IS OPPOSITE LOW SPEED SHAFT CL.
- MOTOR AND MECH SEAL WEIGHTS NOT INCLUDED.
- DIMENSION VARIES WITH MOTOR MFR.
- ADD UNIT, FLG, SHAFT & MOTOR WTS TO GET TOTAL ASSY WT.
- ALL DIMENSIONS IN INCHES, ALL WTS IN LBS.

SIZE	CPLG SIZE	U	A	SHAFT WT	MTG FLG 150#
53	2910	2.50	5.38	75.00	10,12
	2912	3.00	6.38	100.00	10,12,14
	2914	3.50	7.50	125.00	10,12,14,16
54	2912	3.00	6.38	115.00	10,12,14
	2914	3.50	7.50	135.00	10,12,14,16
	2916	4.00	8.50	175.00	12,14,16,18
55	2914	3.50	7.50	175.00	12,14,16
	2916	4.00	8.50	200.00	12,14,16,18
	2918	4.50	9.25	225.00	12 THRU 20
56	2918	4.50	9.25	275.00	16,18,20
	2920	5.00	10.25	325.00	16,18,20
	2922	5.50	11.25	375.00	16,18,20,24
57	2920	5.00	10.25	375.00	18,20
	2922	5.50	11.25	400.00	18,20,24
	2924	6.00	12.75	475.00	20,24
58	2922	5.50	11.25	475.00	18,20,24
	2924	6.00	12.75	540.00	20,24
	2926	6.50	13.50	600.00	24

SIZE	B	C	D	E	F	H	J	O (REDUCTION)			Q ¹	R	MA ¹ MAX	UNIT ² WT	OIL (GAL)	GREASE (OZ)
								DBL	TPL	QPL						
53	9.00	8.7	9.30	18.65	14.81	9.55	12.55	20.06	20.06	-	2.15	31.00	9.00	1020	7	6
54	9.00	7.4	10.42	17.64	14.81	10.17	12.68	23.50	22.94	22.18	5.10	32.00	9.94	1270	9	6
55	10.00	8.7	11.05	19.13	17.44	11.05	13.80	27.00	25.90	25.17	5.70	36.00	11.39	1650	13	7
56	10.00	8.4	12.00	21.25	17.50	12.00	14.95	31.75	30.72	29.98	6.20	38.00	12.53	2450	19	7
57	10.00	9.0	13.43	22.45	17.50	13.42	17.40	34.37	32.96	32.22	7.70	41.00	12.53	3125	24	11
58	12.00	11.2	15.55	25.64	19.88	19.49	15.55	40.75	39.38	38.92	8.40	48.00	14.25	4850	44	22
59														4950		

MTG FLG 150#	P	FLG WT
10	1.25	65
12	1.25	90
14	1.38	120
16	1.50	170
18	1.62	205
20	1.75	270
24	2.00	425

MOTOR SIZE	143/145T	182/184T	213/215T	254/256T	284/286T	284/286TS	324/326T
x ³	14.18	17.19	20.00	24.50	27.44	26.06	30.44
MOTOR SIZE	324/326TS	364/365T	364/365TS	404/405T	404/405TS	444/445T	444/445TS
x ³	28.94	33.44	31.31	38.31	35.31	44.62	40.88

TYPE
MB
SERIES

HAYWARD GORDON LTD.

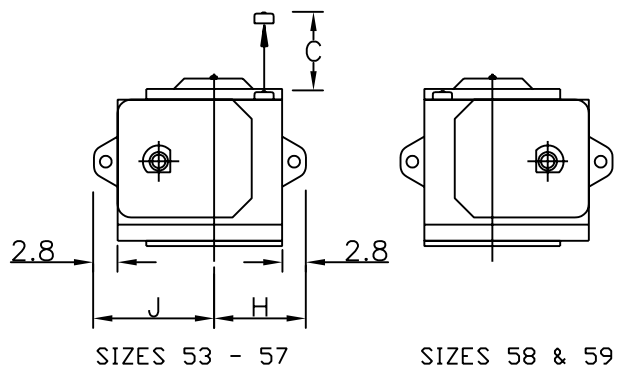
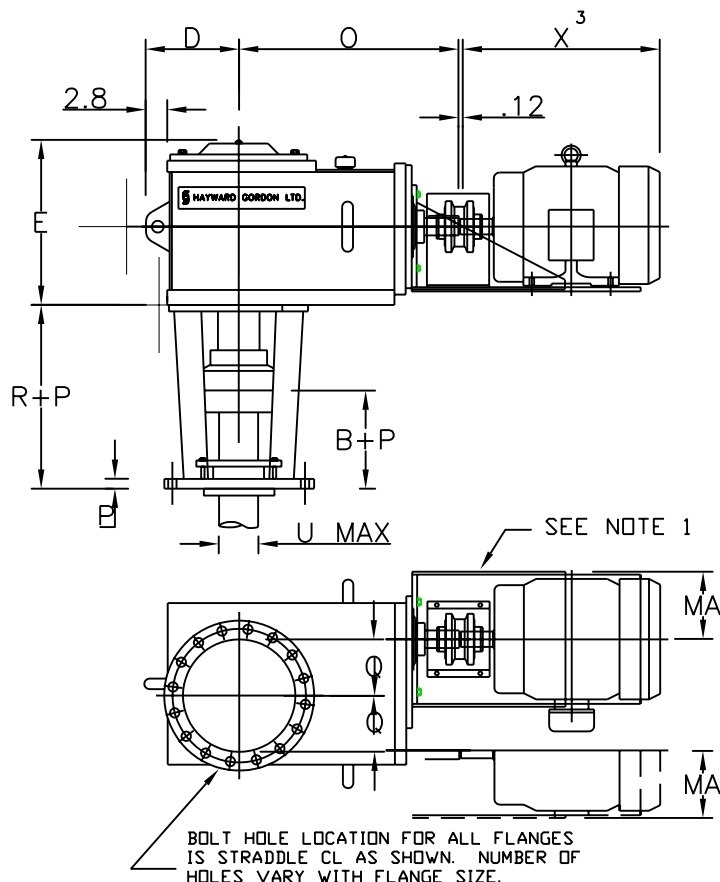
MBS DIMENSIONS
DRIVESTAND WITH STUFFING BOX

SECTION: PB4

PAGE: 4.12

ISSUED: AUG/1995

REV: B NOV/99



NOTES:

1. SIZES 53-57 DIMENSION IS AS SHOWN. SIZES 58 & 59 DIMENSION IS OPPOSITE LOW SPEED SHAFT CL.
2. MOTOR WEIGHT NOT INCLUDED.
3. DIMENSION VARIES WITH MOTOR MFR.
4. ADD UNIT. FLG & MOTOR WTS TO GET TOTAL ASSY WT.
5. ALL DIMENSIONS IN INCHES, ALL WTS IN LBS.

SIZE	B	C	C	E	H	J	D (REDUCTION)			Q ¹	R	MA ¹ MAX	CPLG SIZE	U MAX	MTG FLG 150#	UNIT ² WT
							DBL	TPL	QPL							
53	8.12	8.7	9.30	18.65	9.55	12.55	20.06	20.06	-	2.15	16.5	9.00	2914	2.50	10,12	920
														3.00	10,12,14	
														3.50	10,12,14,16	
54	8.75	7.4	10.42	17.64	10.17	12.68	23.50	22.94	22.18	5.10	18.0	9.94	2916	3.00	10,12,14	1170
														3.50	10,12,14,16	
														4.00	12,14,16,18	
55	9.75	8.7	11.05	19.13	11.05	13.80	27.00	25.90	25.17	5.70	20.0	11.39	2918	3.50	12,14,16	1500
														4.00	12,14,16,18	
														4.50	12 THRU 20	
56	10.50	8.4	12.00	21.25	12.00	14.95	31.75	30.72	29.98	6.20	22.5	12.53	2922	4.50	16,18,20	2250
														5.00	16,18,20	
														5.50	16,18,20,24	
57	11.38	9.0	13.43	22.45	13.42	17.40	34.37	32.96	32.22	7.70	24.5	12.53	2924	5.00	18,20	2825
														5.50	18,20,24	
														6.00	20,24	
58	11.88	11.2	15.55	25.64	19.49	15.55	40.75	39.38	38.92	8.40	27.5	14.25	2928	5.50	18,20,24	4350
6.00														20,24	4450	
59														6.50	24	4450

MTG FLG 150#	P	FLG WT
10	1.25	55
12	1.25	80
14	1.38	110
16	1.50	155
18	1.62	185
20	1.75	250
24	2.00	390

MOTOR SIZE	143/ 145T	182/ 184T	213/ 215T	254/ 256T	284/ 286T	284/ 286TS	324/ 326T
X ³	14.18	17.19	20.00	24.50	27.44	26.06	30.44
MOTOR SIZE	324/ 326TS	364/ 365T	364/ 365TS	404/ 405T	404/ 405TS	444/ 445T	444/ 445TS
X ³	28.94	33.44	31.31	38.31	35.31	44.62	40.88

TYPE
MB
SERIES

HAYWARD GORDON LTD.

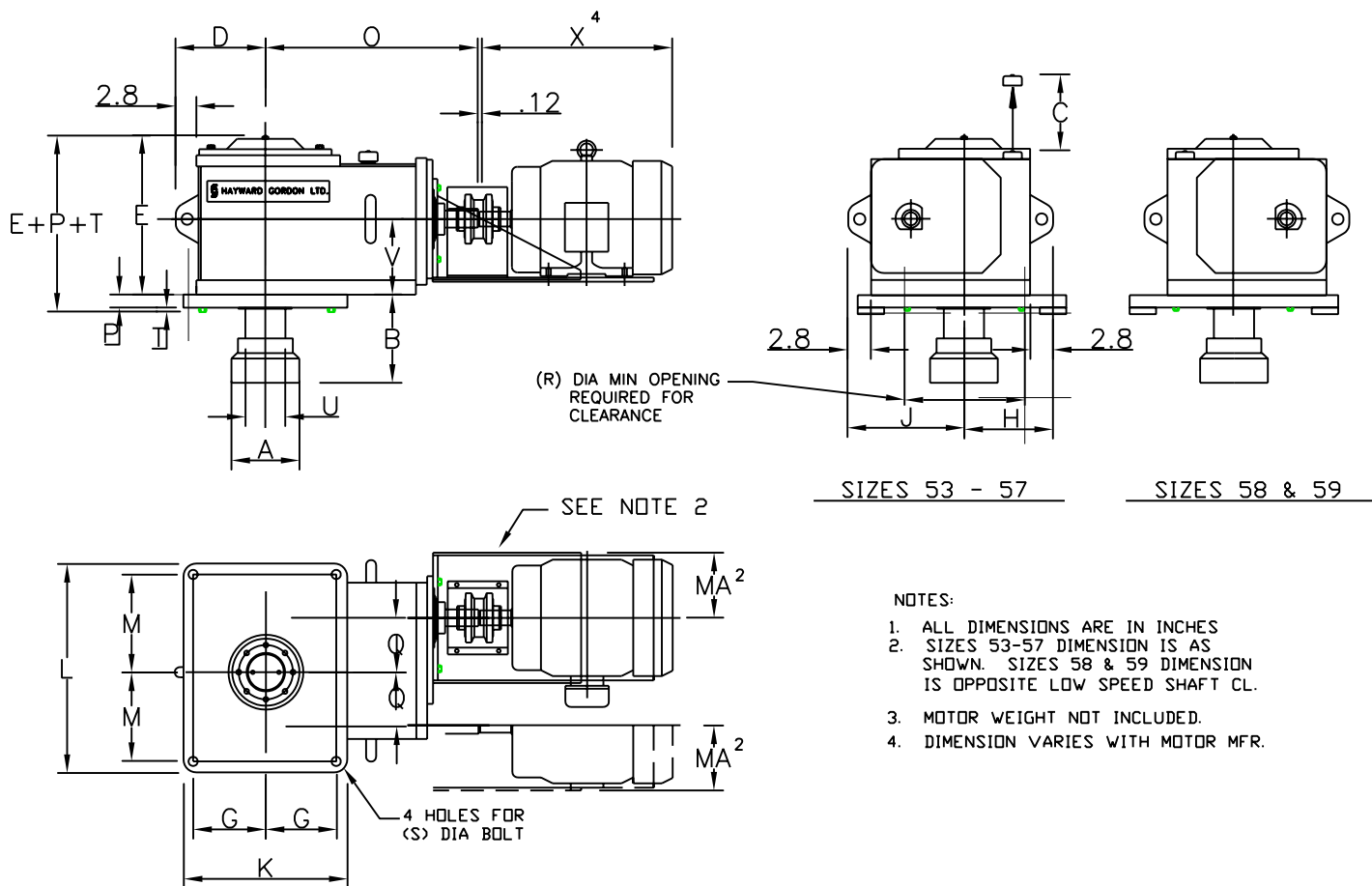
MBX DIMENSIONS
BASEPLATE MOUNTED

SECTION: PB4

PAGE: 4.10

ISSUED: AUG/1995

REV: A APR/1999



NOTES:

1. ALL DIMENSIONS ARE IN INCHES
2. SIZES 53-57 DIMENSION IS AS SHOWN. SIZES 58 & 59 DIMENSION IS OPPOSITE LOW SPEED SHAFT CL.
3. MOTOR WEIGHT NOT INCLUDED.
4. DIMENSION VARIES WITH MOTOR MFR.

SIZE	A	B	C	D	E	H	J	O (REDUCTION)			Q ²	R	U	V
								DBL	TPL	QPL				
53	7.50	8.38	8.7	9.30	18.65	9.55	12.55	20.06	20.06	-	2.15	13.50	3.25	11.23
54	8.50	9.25	7.4	10.42	17.64	10.17	12.68	23.50	22.94	22.18	5.10	14.25	3.75	8.35
55	9.25	10.25	8.7	11.05	19.13	11.05	13.80	27.00	25.90	25.17	5.70	15.25	4.25	9.30
56	11.25	12.00	8.4	12.00	21.25	12.00	14.95	31.75	30.72	29.98	6.20	17.25	5.25	10.30
57	12.75	13.12	9.0	13.43	22.45	13.42	17.40	34.37	32.96	32.22	7.70	19.50	5.75	10.30
58	14.50	15.62	11.2	15.55	25.64	19.49	15.55	40.75	39.38	38.92	8.40	22.75	7.00	12.70
59														

SIZE	BASEPLATE							SPACER REQUIRED		CPLG SIZE	WEIGHT LBS ³	OIL Gal	GRS Oz	MA ² MAX
	F	G	K	L	M	P	S	MOTOR FRAME SIZE	T					
53	1.00	7.00	16.00	23.50	10.75	1.25	0.75	-	-	2914	950	7	6	9.00
54	1.00	7.50	17.00	24.00	11.00	1.25	0.75	364 & LARGER	0.75	2916	1150	9	6	9.94
55	1.25	8.50	19.50	27.00	12.25	1.50	0.88	404 & LARGER	1.00	2918	1550	13	7	11.39
56	1.25	10.00	22.50	29.50	13.50	1.50	1.00	444 & LARGER	1.00	2922	2250	19	7	12.53
57	1.25	12.00	26.50	34.50	16.00	1.50	1.00	444 & LARGER	1.00	2924	2900	24	11	12.53
58	1.50	13.50	30.00	39.50	18.25	1.75	1.25	-	-	2928	4450	44	22	14.25
59											4550	45		

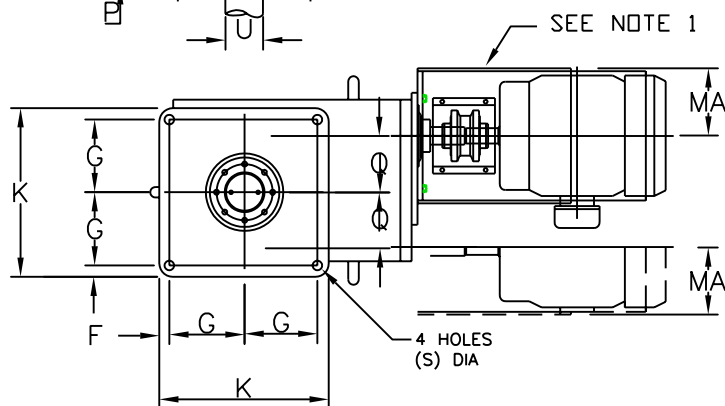
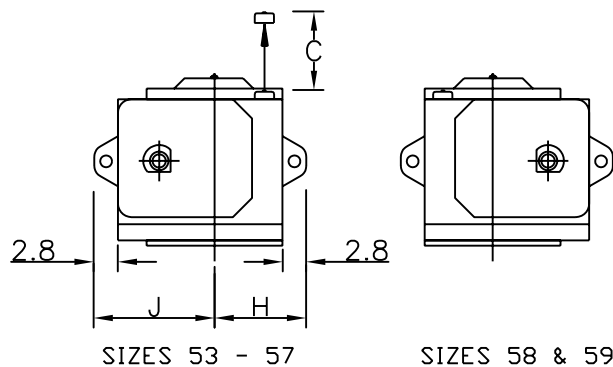
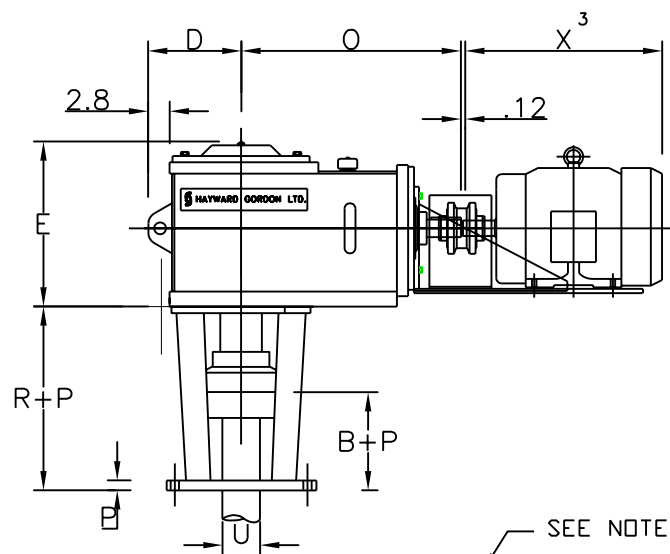
MOTOR SIZE	143/145T	182/184T	213/215T	254/256T	284/286T	284/286TS	324/326T	324/326TS	324/365T	364/365TS	404/405T	404/405TS	444/405T	444/445TS
X ⁴	14.18	17.19	20.00	24.50	27.44	26.06	30.44	28.94	33.44	31.31	38.31	35.31	44.62	40.88

TYPE
MB
SERIES

HAYWARD GORDON LTD.

MBX DIMENSIONS
DRIVESTAND WITH BASEPLATE

SECTION:	PB-4
DWG:	4.11A
ISSUED:	AUG/1995
REV:	A JUL/2001



- NOTES:
1. SIZES 53-57 DIMENSION IS AS SHOWN. SIZES 58 & 59 DIMENSION IS OPPOSITE LOW SPEED SHAFT CL.
 2. MOTOR WEIGHT NOT INCLUDED.
 3. DIMENSION VARIES WITH MOTOR MFR.
 4. ALL DIMENSIONS IN INCHES.

SIZE	B	C	D	E	H	J	Ø (REDUCTION)			Q ¹	MA ¹ MAX	CPLG SIZE	U MAX	UNIT ² WT	OIL (GAL)	GREASE (OZ)
							DBL	TPL	QPL							
53	8.12	8.7	9.30	18.65	9.55	12.55	20.06	20.06	-	2.15	9.00	2914	3.50	950	7	6
54	8.75	7.4	10.42	17.64	10.17	12.68	23.50	22.94	22.18	5.10	9.94	2916	4.00	1200	9	6
55	9.75	8.7	11.05	19.13	11.05	13.80	27.00	25.90	25.17	5.70	11.39	2918	4.50	1600	13	7
56	10.50	8.4	12.00	21.25	12.00	14.95	31.75	30.72	29.98	6.20	12.53	2922	5.50	2400	19	7
57	11.38	9.0	13.43	22.45	13.42	17.40	34.37	32.96	32.22	7.70	12.53	2924	6.00	3200	24	11
58	11.88	11.2	15.55	25.64	19.49	15.55	40.75	39.38	38.92	8.40	14.25	2928	6.50	4750	44	12
59														4850	45	

SIZE	F	G	K	P	R	S
53	0.88	7.12	16.00	1.00	12.50	0.75
54	1.00	8.00	18.00	1.12	14.00	0.875
55	1.12	9.00	20.25	1.25	15.00	1.00
56	1.25	10.50	23.50	1.50	17.50	1.12
57	1.50	12.50	28.00	1.75	19.50	1.25
58	1.50	13.38	29.75	2.00	22.50	1.25
59						

MOTOR SIZE	143/145T	182/184T	213/215T	254/256T	284/286T	284/286TS	324/326T
x ³	14.18	17.19	20.00	24.50	27.44	26.06	30.44
MOTOR SIZE	324/326TS	364/365T	364/365TS	404/405T	404/405TS	444/445T	444/445TS
x ³	28.94	33.44	31.31	38.31	35.31	44.62	40.88

TYPE
MB
SERIES

HAYWARD GORDON LTD.

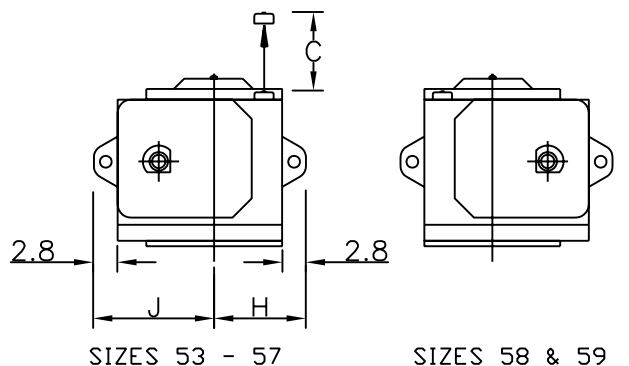
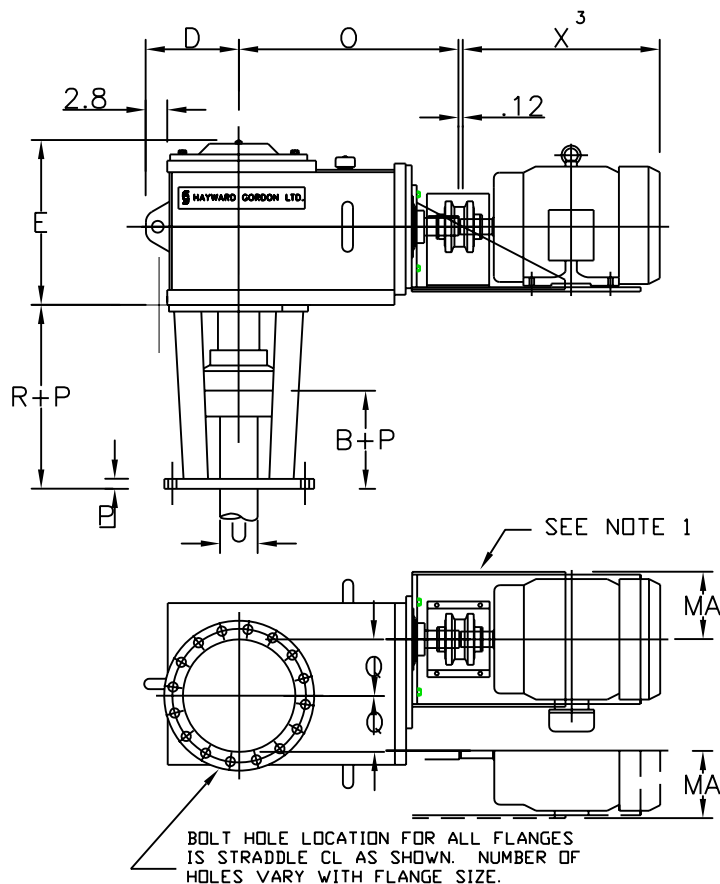
MBX DIMENSIONS
DRIVESTAND WITH ANSI DRILLING

SECTION: PB-4

PAGE: 4.11

ISSUED: AUG/1995

REV: A APR/99



NOTES:

1. SIZES 53-57 DIMENSION IS AS SHOWN. SIZES 58 & 59 DIMENSION IS OPPOSITE LOW SPEED SHAFT CL.
2. MOTOR WEIGHT NOT INCLUDED.
3. DIMENSION VARIES WITH MOTOR MFR.
4. ADD UNIT, FLG & MOTOR WTS TO GET TOTAL ASSY WT.
5. ALL DIMENSIONS IN INCHES, ALL WTS IN LBS.

SIZE	B	C	D	E	H	J	Ø (REDUCTION)			Q ¹	R	MA ¹ MAX	CPLG SIZE	U MAX	MTG FLG 150#	UNIT ² WT
							DBL	TPL	QPL							
53	8.12	8.7	9.30	18.65	9.55	12.55	20.06	20.06	-	2.15	16.5	9.00	2914	3.50	10 THRU 16	920
54	8.75	7.4	10.42	17.64	10.17	12.68	23.50	22.94	22.18	5.10	18.0	9.94	2916	4.00	10 THRU 18	1170
55	9.75	8.7	11.05	19.13	11.05	13.80	27.00	25.90	25.17	5.70	20.0	11.39	2918	4.50	12 THRU 20	1500
56	10.50	8.4	12.00	21.25	12.00	14.95	31.75	30.72	29.98	6.20	22.5	12.53	2922	5.50	16 THRU 24	2250
57	11.38	9.0	13.43	22.45	13.42	17.40	34.37	32.96	32.22	7.70	24.5	12.53	2924	6.00	18 THRU 24	2825
58	11.88	11.2	15.55	25.64	19.49	15.55	40.75	39.38	38.92	8.40	27.5	14.25	2928	6.50	20 THRU 24	4350
59																4450

MTG FLG 150#	P	FLG WT
10	1.12	55
12	1.12	80
14	1.25	110
16	1.38	155
18	1.50	185
20	1.62	250
24	1.88	390

MOTOR SIZE	143/ 145T	182/ 184T	213/ 215T	254/ 256T	284/ 286T	284/ 286TS	324/ 326T
x ³	14.18	17.19	20.00	24.50	27.44	26.06	30.44
MOTOR SIZE	324/ 326TS	364/ 365T	364/ 365TS	404/ 405T	404/ 405TS	444/ 445T	444/ 445TS
x ³	28.94	33.44	31.31	38.31	35.31	44.62	40.88