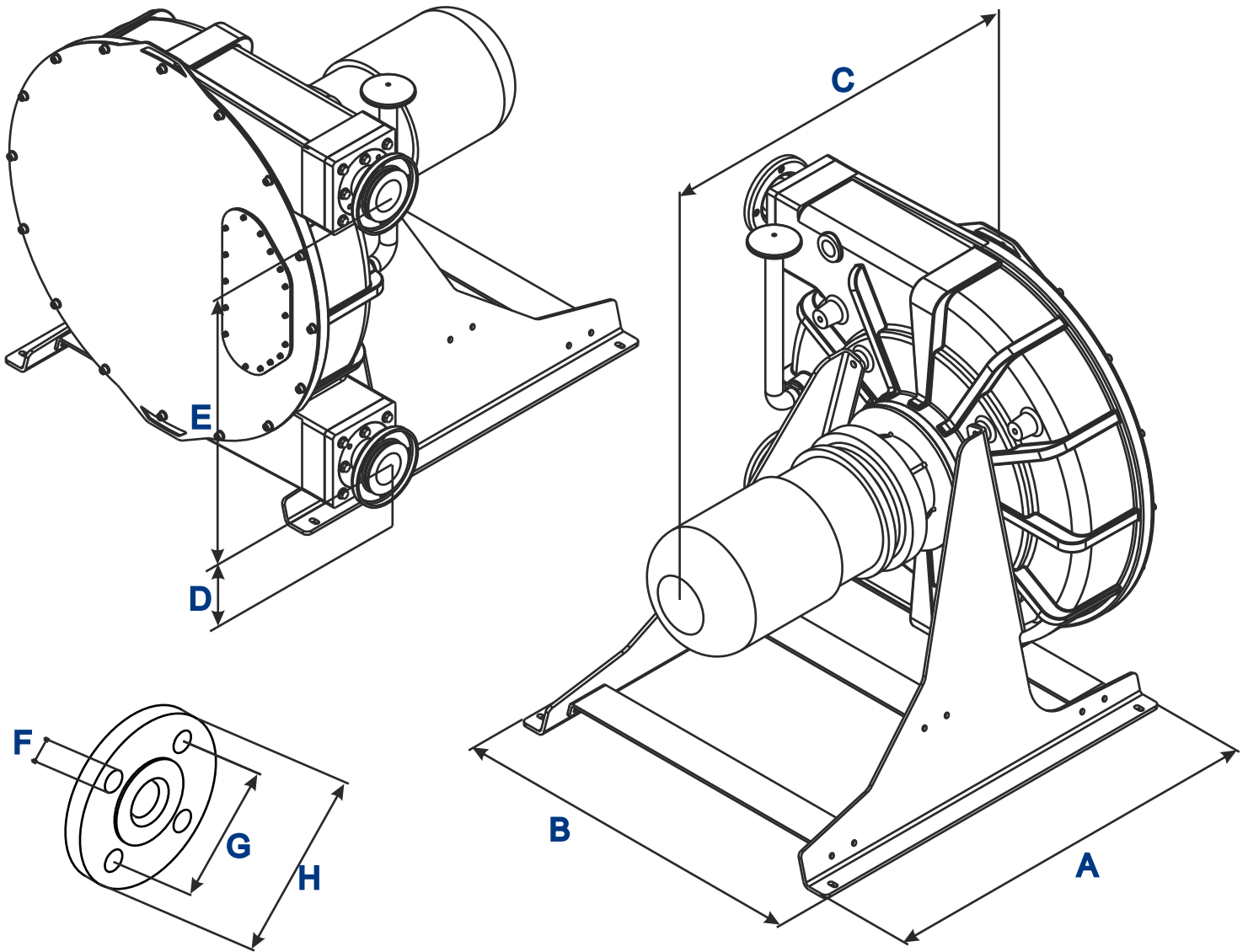


Dimensional drawing - Model STP-100

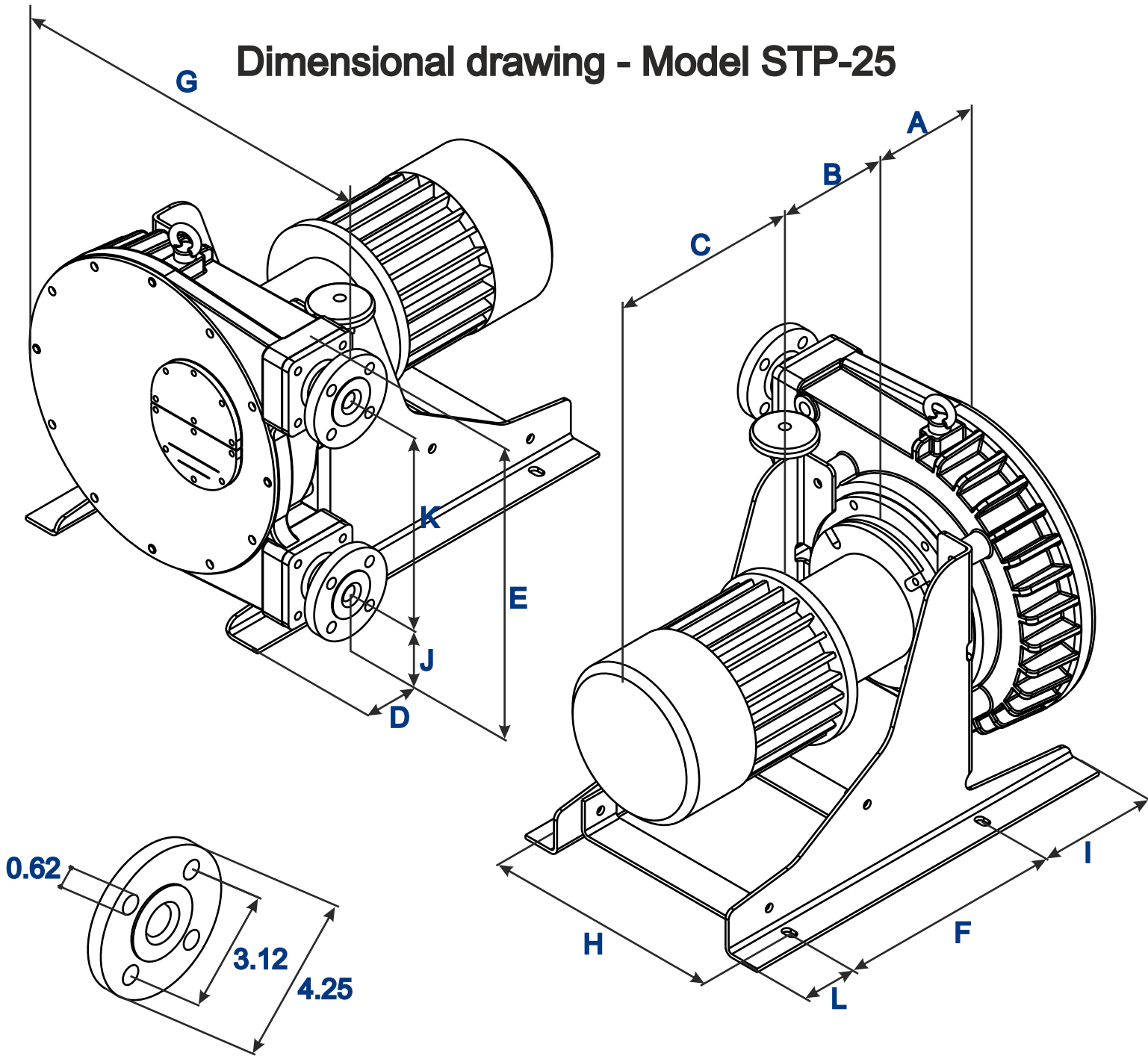


ANSI FLANGE 4"

A	B	C	D	E	F	G	H
59.05	53.54	*	9.33	39.37	0.75	7.5	9

* To confirm according type and power driver.

Dimensional drawing - Model STP-25

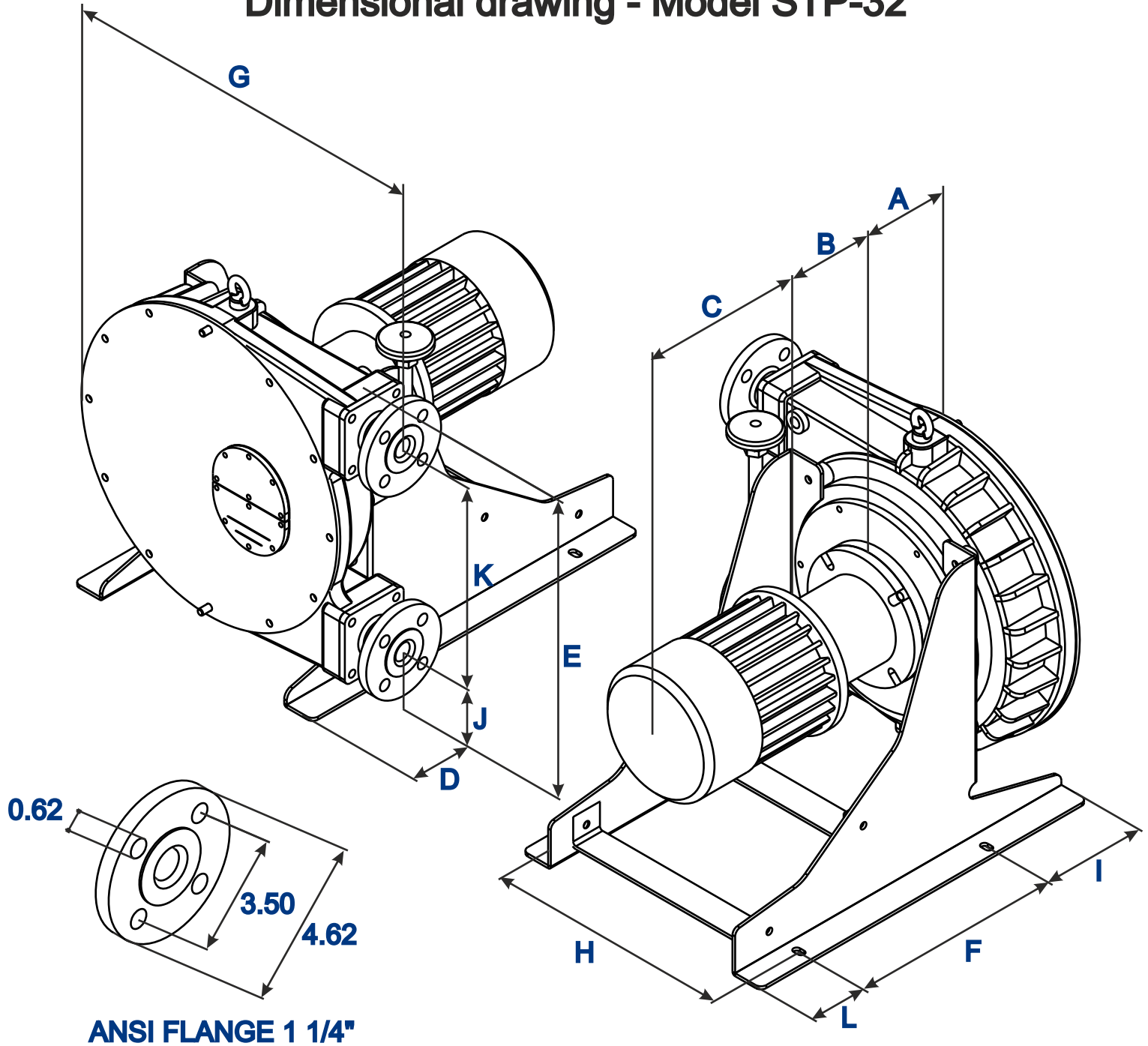


ANSI FLANGE 1"

A	B	C	D	E	F	G	H	I	J	K	L
5.02	*	*	2.36	16.73	12.01	18.54	12.01	6.30	3.94	10.31	2.95

* To confirm according type and power driver.

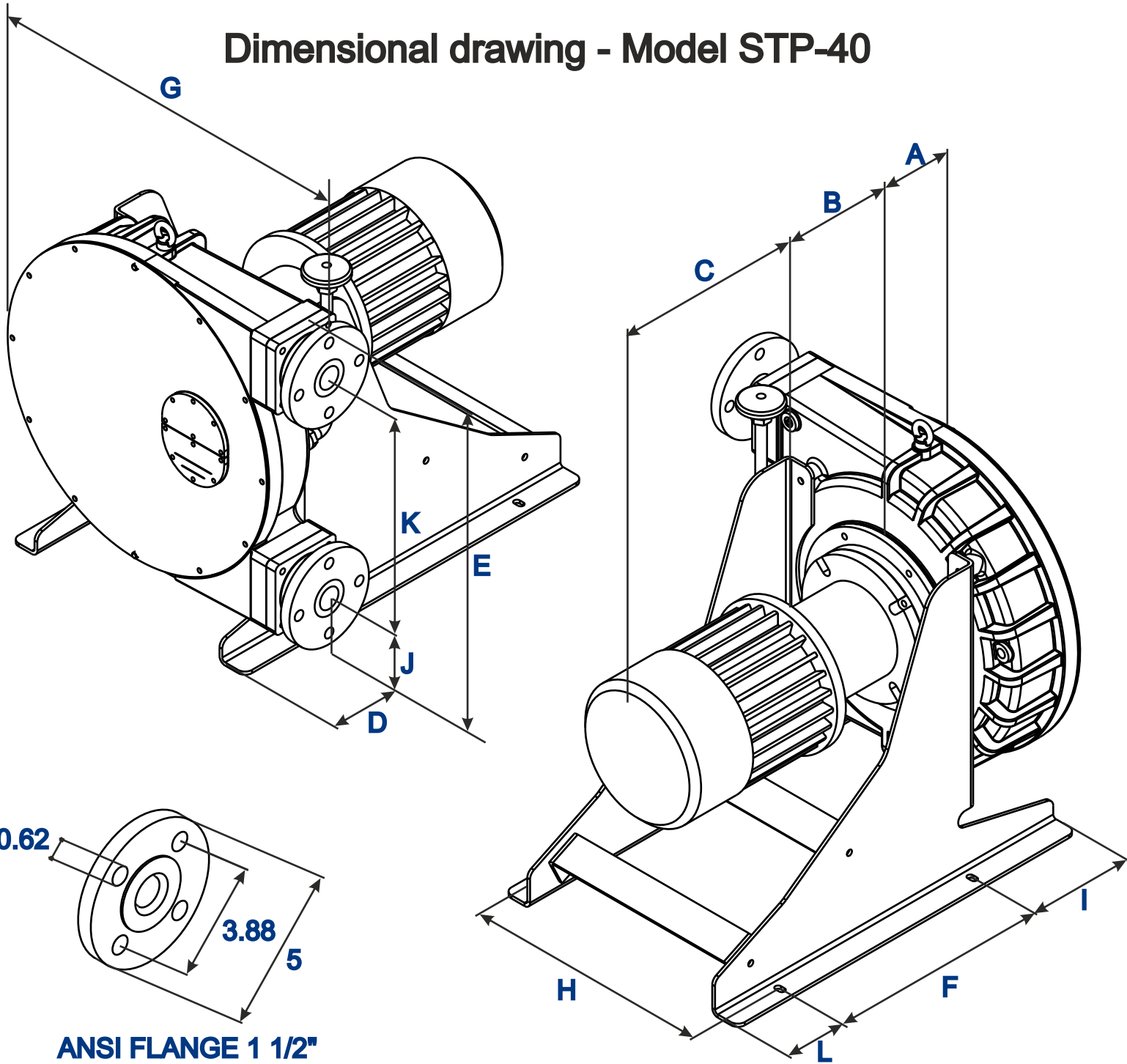
Dimensional drawing - Model STP-32



A	B	C	D	E	F	G	H	I	J	K	L
5.31	9.84	11.42	3.11	24.13	13.58	21.73	15.16	6.69	5.12	12.99	3.74

* To confirm according type and power driver.

Dimensional drawing - Model STP-40

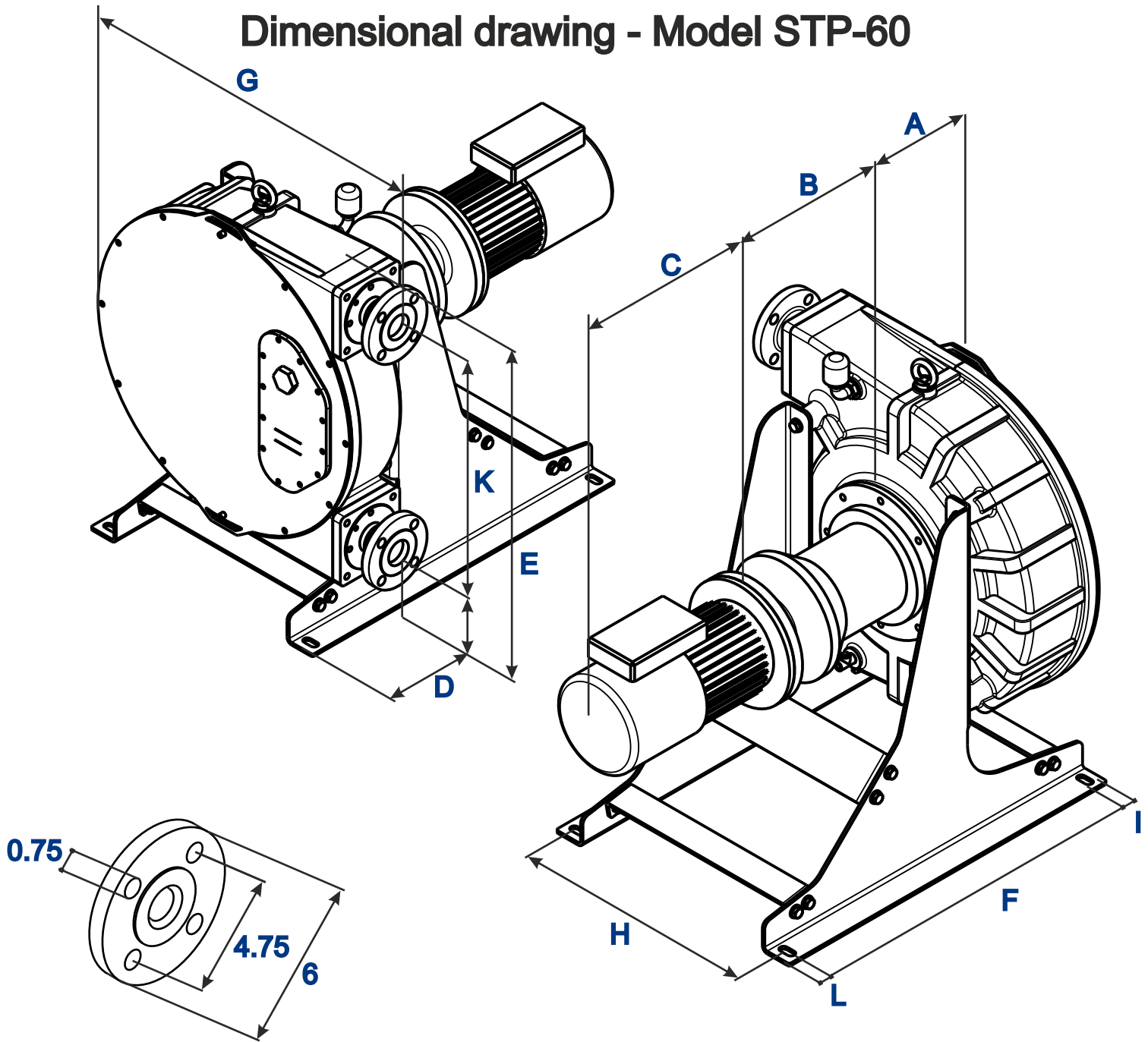


ANSI FLANGE 1 1/2"

A	B	C	D	E	F	G	H	I	J	K	L
5.94	*	*	3.11	25.39	16.34	24.92	17.95	7.87	6.26	16.22	4.53

* To confirm according type and power driver.

Dimensional drawing - Model STP-60

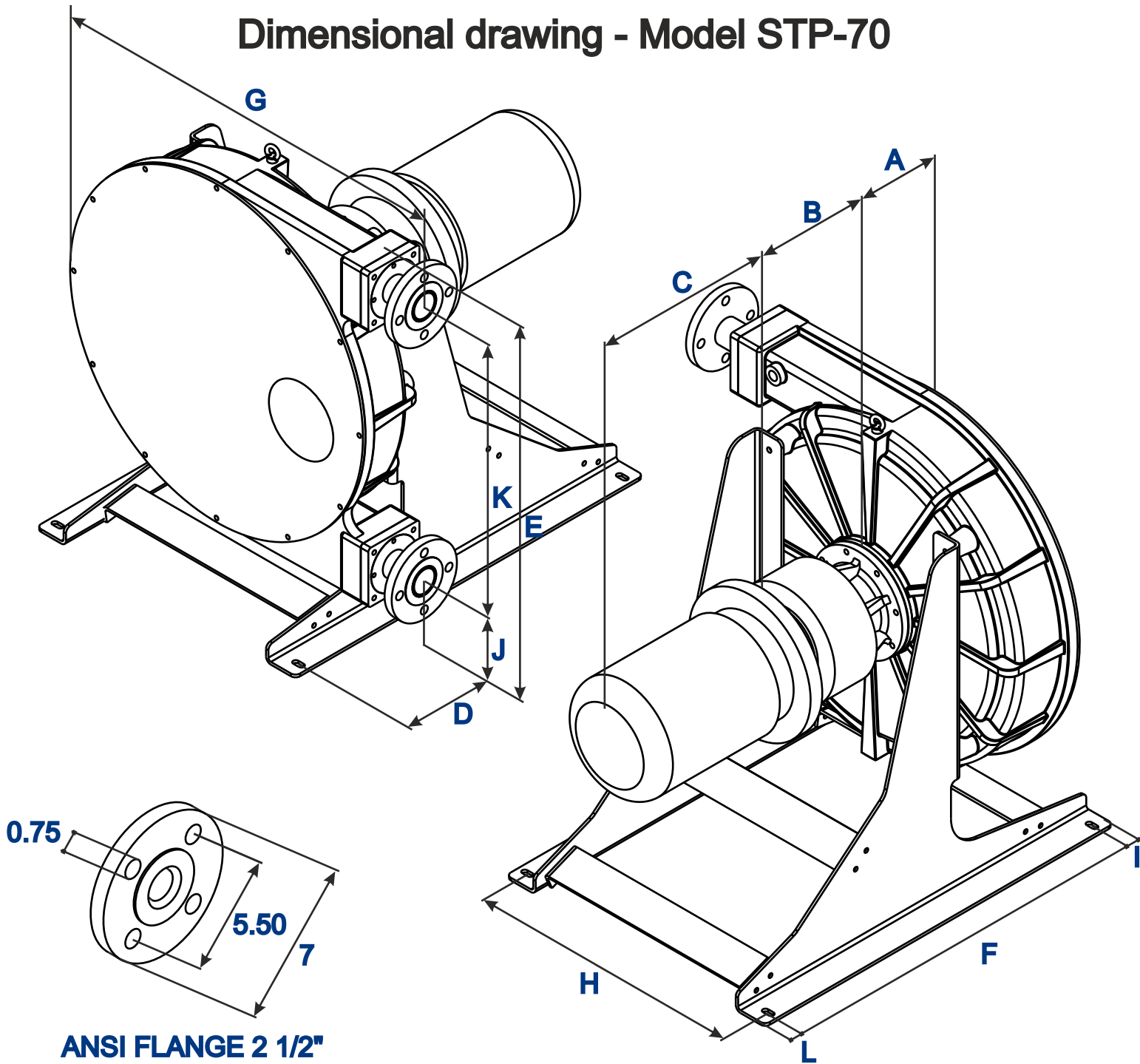


ANSI FLANGE 2"

A	B	C	D	E	F	G	H	I	J	K	L
8.46	*	*	4.37	31.69	29.13	27.83	19.68	0.98	8.27	20.08	0.98

* To confirm according type and power driver.

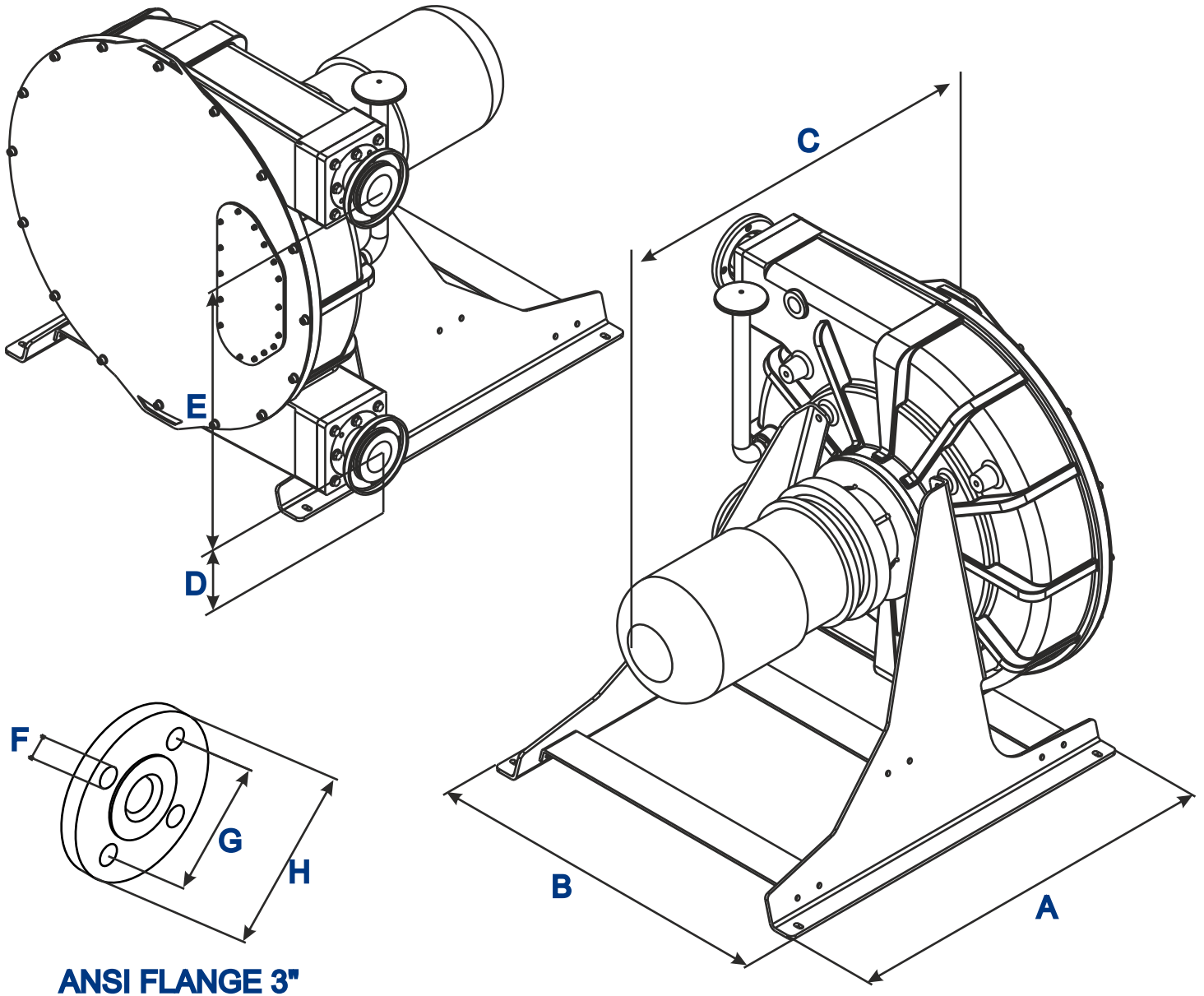
Dimensional drawing - Model STP-70



A	B	C	D	E	F	G	H	I	J	K	L
8.46	*	*	9.84	44.25	41.93	43.31	31.10	1.57	9.45	30.87	1.57

* To confirm according type and power driver.

Dimensional drawing - Model STP-80



ANSI FLANGE 3"

A	B	C	D	E	F	G	H
47.24	43.03	45.28 *	8.07	33.46	0.75	6	7.5

* To confirm according type and power driver.